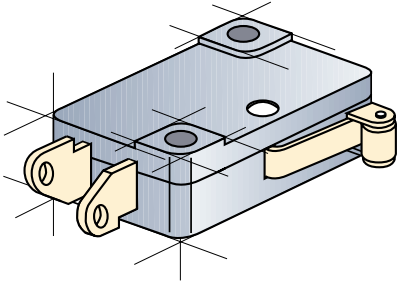


Micro Switch V3

Mechanical (Simple Apparatus)



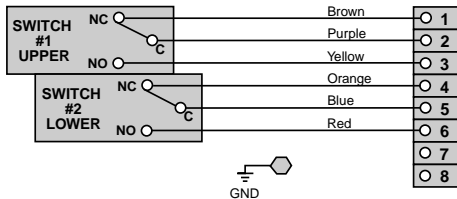
Technical Data

Operating Force	150 Gram Max
Release Force	15 Gram Min.
Differential Travel	.05 - .25 mm.
Overtravel	1 mm.

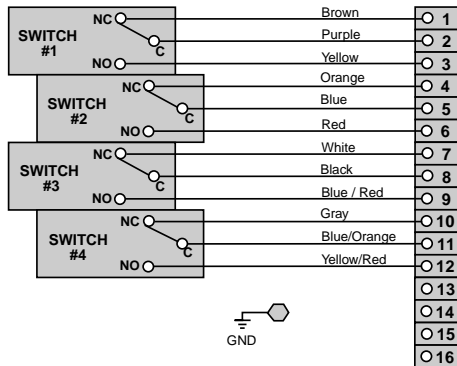
Electrical Rating

Contact Arrangement	SPDT (Form C) (Normally Open)
	15 amps/125/250 VAC
	10 amps/24 VDC
	0.5 amps/125 VDC
	0.25 amps/250 VDC

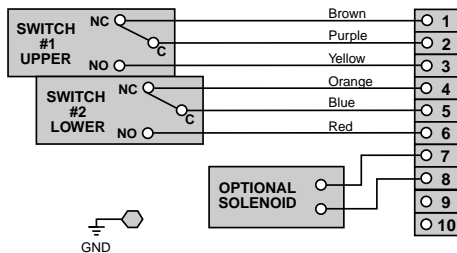
2 - SPDT Mechanical Switches with 8 Point Terminal Strip



4 - SPDT Mechanical Switches with 16 Point Terminal Strip



2 - SPDT Mechanical Switches with Solenoid & 10 Point Terminal Strip



DIMENSIONS (mm)

