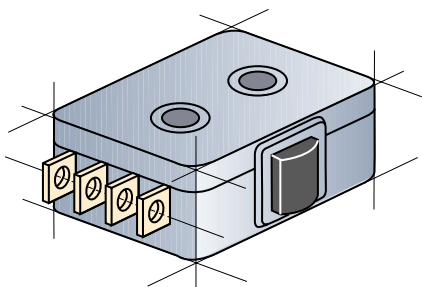


# DPDT Switch (Licon)

## Mechanical



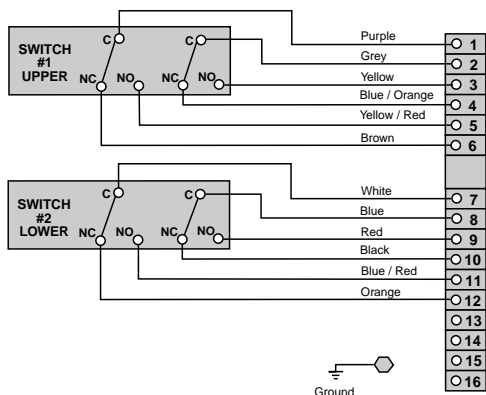
### Technical Data

Contacts	Silver Plated
Approvals	UL, CSA

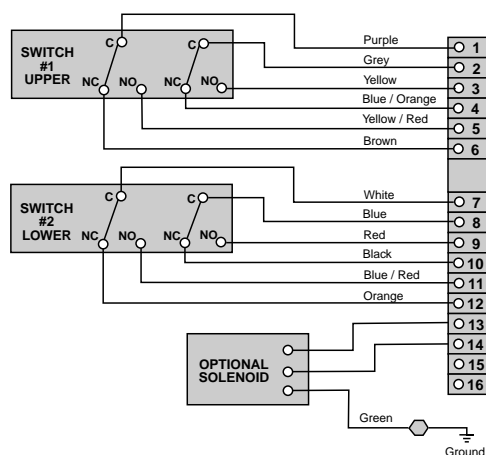
### Electrical Rating

Contact Arrangement	DPDT (Form ZZ)
	10 amps/125/250 VAC
	10 amps/RES 28 VDC wiping action
	For inductive Load: 6 amps/120 VAC
	0.2 amps/125 VDC

### 2 - DPDT Mechanical Switches with 16 Point Terminal Strip



### 2 - DPDT Mechanical Switches with Solenoid & 16 Point Terminal Strip



### DIMENSIONS (mm)

