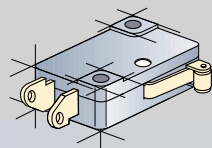
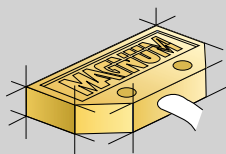
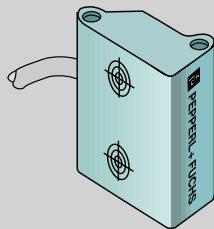




Valve Position Monitor for Intrinsicly Safe Applications.*

Standard Sensor Options



*Westlock 5000 Series valve position monitors are FM and CSA approved General Purpose enclosures. For use in Intrinsicly Safe applications, the Accutrak 5000 must be used in conjunction with an approved Intrinsicly Safe barrier.

AccuTrak® 5000

Intrinsicly Safe

A Universal Standard for Intrinsicly Safe Position Monitoring

Westlock Controls, through a technical alliance with the world's premier sensor manufacturer, Pepperl+Fuchs, has jointly engineered an Intrinsicly Safe position monitor that incorporates into a single unit the primary design features of both companies. By combining field proven components, cost-effective design elements, international approval agency certifications and adherence to NAMUR specifications, Westlock and Pepperl + Fuchs have created an Intrinsicly Safe position monitor engineered to become an industry standard.

The new AccuTrak 5000 is a highly corrosion resistant FM/CSA approved valve position monitor having the capability to house a

wide range of sensors, including the advanced Kriterium™. The Kriterium dual proximity sensor, a joint design effort between Pepperl+Fuchs and Westlock meets all requirements of the DIN19234 (NAMUR) standard and carries approval certifications from PTB, CENELEC, FM and CSA. In addition, the AccuTrak 5000 is also available with Magnum proximity sensors and mechanical Micro Switches for Intrinsicly Safe "simple apparatus" applications.



P+F Kriterium 2000

Proximity Type (Solid State), Intrinsicly Safe, PTB, FM, CSA, CE

Sensing Range	3mm
Electrical Version	D.C. Voltage 2 wire in accordance with DIN19234 (NAMUR)
Hysteresis	Approx 5%
Switching Frequency	1.5 KHz
Nominal Voltage	8 VDC
Input Voltage Range	5-25 VDC
Output/Current Consumption	Cam Trigger Present: ≤1mA Cam Trigger Absent: ≥3mA (15mA max.)
Operating Temp.	-25°C to +100°C

MAGNUM® Proximity Sensors w/ Low Power Contacts

UL, CSA "Simple Apparatus", Hermetically Sealed
SPST or SPDT, Rhodium Contacts

Voltage	24 VDC Nominal
Nominal Contact Resistance	≤ .10 ohm
Operating Current Range	0.5mA to 1A
Power Range	10mW to 25W
Temperature Range	-40°F to +185°F

Micro-Switch V3 w/ Gold Plated Contacts

UL, CSA "Simple Apparatus", SPDT

VDC	Contact Rating
12	100 mA Resistive
24	100 mA Resistive

AccuTrak® 5000

AREA CLASSIFICATIONS

NEMA 4, 4x
 Class I, Groups A, B, C, D
 Class II, Groups E, F, G,
 Divisions 1 & 2

ENCLOSURE

Conduit Entries 2 - 1/2" NPT
 Terminal Strip 8 contacts standard
 16 contact available

5044 & 5046

MATERIALS OF CONSTRUCTION

Housing/Cover Engineered Resin
 Shaft Stainless Steel
 Screws Stainless Steel
 Beacon Copolyester

5004

MATERIALS OF CONSTRUCTION

Housing/Cover Die Cast Aluminum
 Shaft Stainless Steel
 Screws Stainless Steel
 Beacon Copolyester

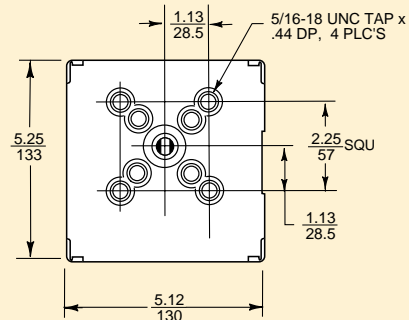
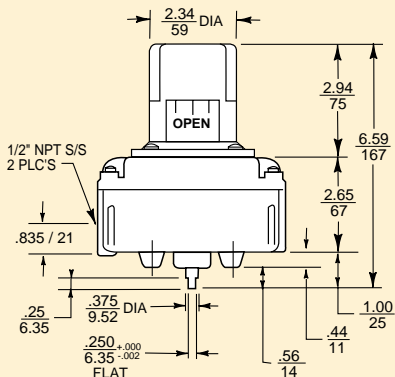
APPROVALS / CERTIFICATION

FM (Factory Mutual Research)

CSA (Canadian Standards Association)

DIMENSIONS (inches/mm)

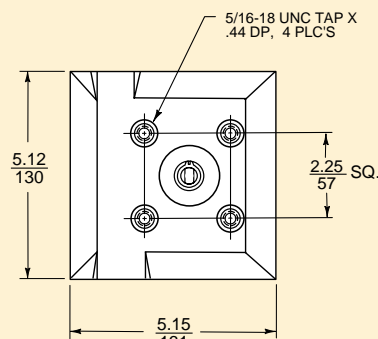
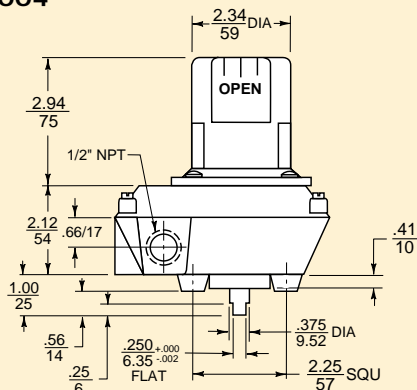
5044 & 5046



SIDE VIEW

BOTTOM VIEW


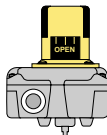

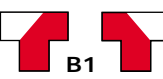
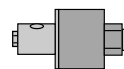

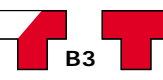

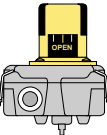

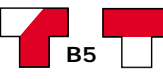



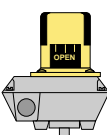

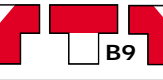
5004



SIDE VIEW

BOTTOM VIEW

ORDERING GUIDE

ENCLOSURE	BEACON™	3-WAY BEACON™	SENSORS	TRANSMITTERS	SOLENOID
5044 Engineered Resin NEMA 4, 4X  	STANDARD (Black & Yellow) BY 	90° Rotation 	MAGNUM (SPDT) M12	Current Output 4-20 mA CS	To Be Specified By Customer 
	ANSI YELLOW (Inherently Hazardous) AY 	90° Rotation 			
5046 Engineered Resin with Latch cover NEMA 4, 4X  	ANSI GREEN (Liquid-Low Hazard) AG 	90° Rotation 	MAGNUM (SPST) M10		
	ANSI BLUE (Gas-Low Hazard) AB 	180° Rotation 	Mech. (SPST) w/ Gold Plated Contacts M9		
5004 Aluminum NEMA 4, 4X  	ANSI RED (Fire Quenching) AR 	180° Rotation 			

For Eliminator configuration on 5000 series enclosures, prefix part numbers with the letter "E"

NOTE: The 5000 series may be utilized with any I.S certified solenoid valve.