



Specifically engineered to meet all hazardous area classifications and groups.

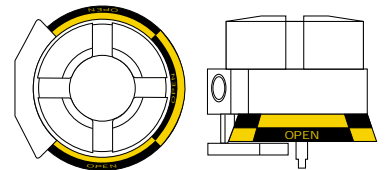
AccuTrak® 360 Explosionproof

The Westlock 360 Series is specifically engineered to meet all hazardous area classifications and groups. Certified to UL and Canadian Standards, the unit has the flexibility to satisfy a wide range of diverse requirements.

Employing standard Westlock design features, (Beacon® performance monitors, Touch-Set® cams and pre-wired components), the 360 Series is available with a wide range of position sensors and pre-integrated solenoid valves. As an option, it possesses the capability for fugitive emissions monitoring of double-packed or bellows-seal control valves.

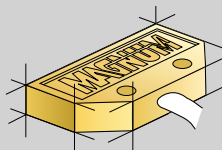
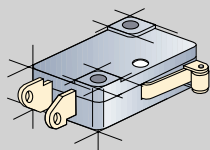
Designed for NEMA 4, 4x, 7, 9 hazardous areas, the 360, in conjunction with high current, hermetically sealed Magnum® sensors, eliminates the costly requirement of installing

seal fittings in Division 1, Class I, Groups B, C & D and Division 2, Class I, Groups A, B, C & D. In Division 1, Groups B, C & D the omission of seal fittings is accomplished through the heavy duty construction of the unit's metal enclosure; enabling it to withstand the various pressure piling tests required by UL and Canadian Standards.



Easily viewed from any angle, a high visibility, low profile Beacon® gives local confirmation of valve position.

Standard Sensor Options



0-100% Position Transmission

Micro-Switch V3

SPDT (V3)			DPDT (Licon)	
AMPS	VAC	VDC	AMPS	VAC
15	125		10	125
15	250		10	250
10		24		
.50		125		
.25		250		

MAGNUM® Proximity Sensors UL, CSA (Hermetically Sealed)

AMPS	SPDT	
	VAC	VDC
3	120	
1.5	240	
2		24

Resistive Output Signal

Standard Output Signal: 1000 ohms
Power Rating at 70°C: 1 watt
Elements: Conductive Plastic
Rotational Life (no load): 100,000 cycles

Current Output Signal

Standard Output Signal: 4-20 mA DC, 2 wire
Power Requirements: 12-38 VDC
Max. Load Resistance at 24 VDC: 950 ohms
Operating Temperature: -24°C to 85°C

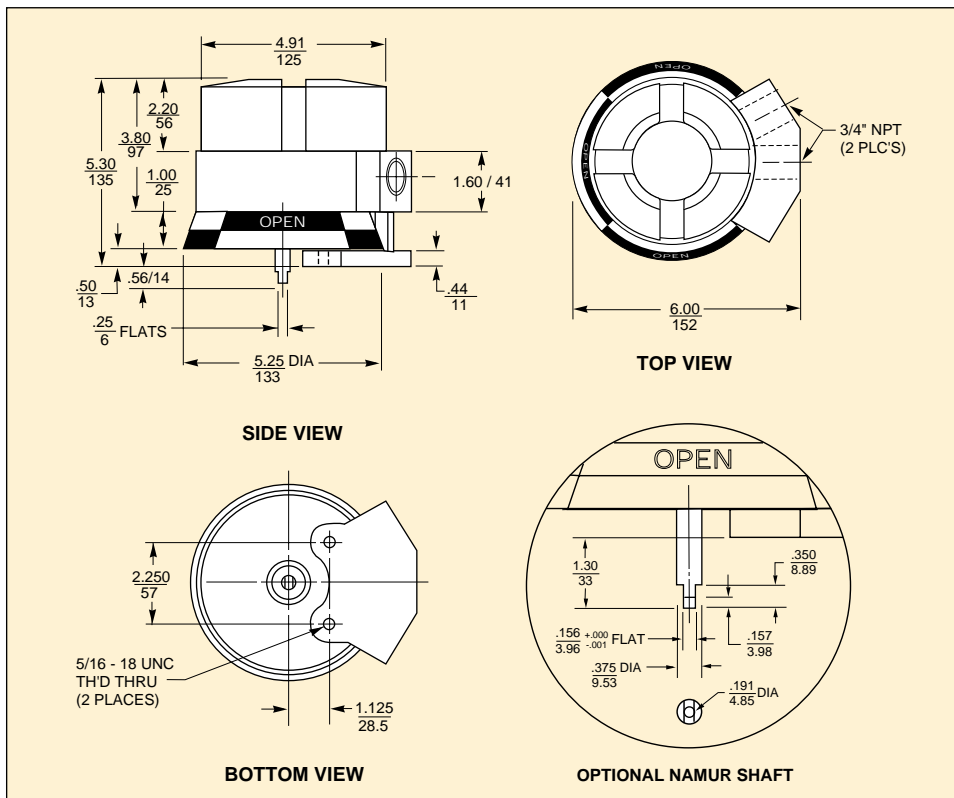
AccuTrak® 360



Engineered as a pre-integrated unit, the capabilities of the 360 include valve position monitoring, solenoid actuator control, and fugitive emissions detection.



DIMENSIONS (inches/mm)



AREA CLASSIFICATIONS
NEMA 4, 4x, 7, 9
Class I, Groups A, B, C, D
Class II, Groups E, F, G,
Divisions 1 & 2

ENCLOSURE
Conduit Entries 2 - 3/4" NPT
Terminal Points 10 points standard
APPROVALS / CERTIFICATION
UL (Underwriters Laboratories, Inc.)
cUL (UL Canadian Certification)

MATERIALS OF CONSTRUCTION
Housing / Cover Cast Aluminum 316L Stainless Steel
Coating Polyurethane
Shaft Stainless Steel
Beacon Monitor Copolyester

ORDERING GUIDE

ENCLOSURE	BEACON™	3-WAY BEACON™	SENSOR	SOLENOID
 360 Aluminum 366 316L Stainless Steel For Eliminator configuration, prefix part number with the letter (E). Example: E360	STANDARD (Black & Yellow) BY 	90° Rotation B1 	Mech. (SPDT) M2 Mech. (DPDT) M4 MAGNUM (SPDT) M6 Resistive Output: 1000 ohms RS Current Output: 4-20 mA CS	To Be Specified By Customer
	ANSI YELLOW (Inherently Hazardous) AY 	90° Rotation B3 		
	ANSI GREEN (Liquid-Low Hazard) AG 	90° Rotation B5 		
	ANSI BLUE (Gas-Low Hazard) AB 	180° Rotation B7 		
	ANSI RED (Fire Quenching) AR 	180° Rotation B9 		