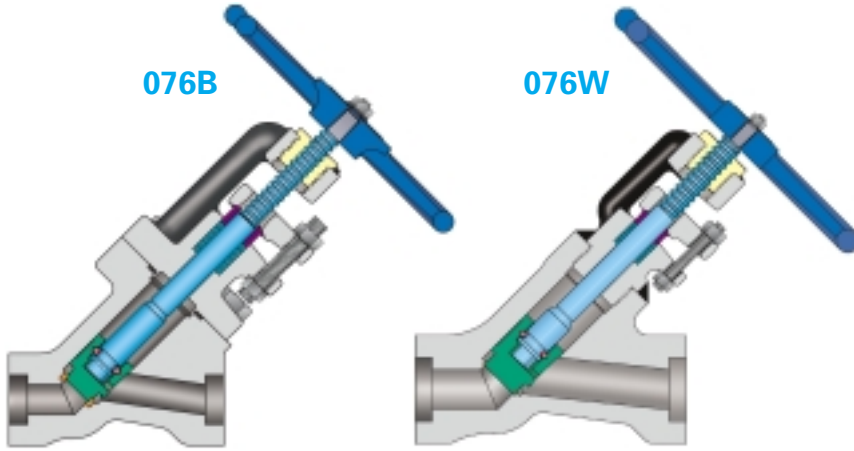




# FORGED STEEL 45° INCLINED GLOBE VALVES, 1/2–2" (15–50 mm)

CONVENTIONAL PORT OPENING, THREADED,  
SOCKET WELD OR BUTT WELD  
ASME CLASSES 800, 1690, 2680



45° BOLTED BONNET

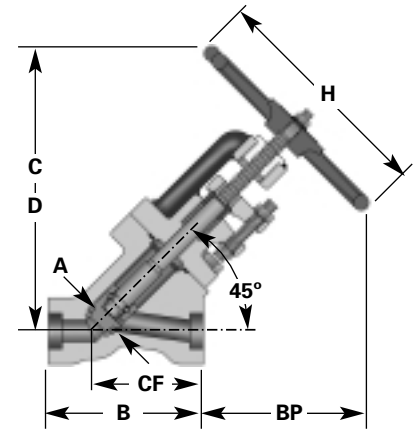
45° WELDED BONNET

PART	STANDARD MATERIALS
Body	A105N
Bonnet	A105N
Seat (integral)	Stellite 6
Disc	Stellite 6
Stem	Gr. 410 (stainless)
Stem nut	CS CD plated
Gland bushing	Gr. 416 (stainless)
Yoke bushing	AL Brz C64200
Cap Screw	Gr. B7
Gasket	Gr. 304 & Graphite
Packing	Graphite
Packing flange	CS
Gland stud	Gr. B6
Gland nut	Gr. 2H
Handwheel	Malleable iron
Name plate	Aluminum

For other materials, trim and engineering data, see pages 21–25.

## BOLTED BONNET GLOBE 45° INCLINED VALVE DIMENSIONS, WEIGHTS & CV

Size	A		B		C		D		H		BP		CF		Weight		CV
	Port	End to End	Center to Top Closed	Center to Top Open	Handwheel	Clearance Open	Center to End	lb	kg	Flow Coefficient							
in	800	1690	800	1690	800	1690	800	1690	800	1690	800	1690	800	1690	800	1690	
1/2 15	0.559 14.2	4.00 102	4.88 124	6.76 172	8.81 224	7.20 183	9.25 235	4.00 102	6.00 152	4.22 107	5.50 140	2.88 73	3.50 99	12.00 5.4	15.00 7		8
3/4 20	0.559 14.2	4.00 102	4.88 124	6.76 172	8.81 224	7.20 183	9.25 235	4.00 102	6.00 152	4.22 107	5.50 140	2.88 73	3.50 99	12.00 5.4	15.00 7		9
1 25	0.833 21.2	4.88 124	5.75 146	7.16 182	10.60 269	7.78 198	11.22 285	4.00 102	8.00 203	4.17 106	6.75 172	3.50 89	4.19 106	15.00 7	22.00 10		14
1 1/4 32	1.125 28.6	5.75 146	7.25 184	9.05 230	11.72 298	9.85 250	12.51 318	6.00 152	8.00 203	5.40 137	6.73 171	4.19 106	5.50 140	33.00 15	36.00 16		28
1 1/2 40	1.125 28.6	5.75 146	7.25 184	9.05 230	11.72 298	9.85 250	12.51 318	6.00 152	8.00 203	5.40 137	6.73 171	4.19 106	5.50 140	33.00 15	36.00 16		29
2 50	1.50 38.1	7.25 184	10.13 275	11.72 298	14.32 364	12.78 325	15.38 391	8.00 203	12.00 305	7.00 172	7.58 193	5.50 140	7.38 187	67.00 30	72.00 37		54



## WELDED BONNET GLOBE 45° INCLINED VALVE DIMENSIONS, WEIGHTS & CV

Size	A		B		C		D		H		BP		CF		Weight		CV
	Port	End to End	Center to Top Closed	Center to Top Open	Handwheel	Clearance Open	Center to End	lb	kg	Flow Coefficient							
in	1690 & 2680	1690 & 2680	1690 & 2680	1690 & 2680	1690 & 2680	1690 & 2680	1690 & 2680	1690 & 2680	1690 & 2680	1690 & 2680	1690 & 2680	1690 & 2680	1690 & 2680	1690 & 2680	1690 & 2680		
1/2 15	0.559 14.2	4.88 124	7.75 197	8.19 208	6.00 152	4.00 102	3.50 99	9.50 4									8
3/4 20	0.559 14.2	4.88 124	7.75 197	8.19 208	6.00 152	4.00 102	3.50 99	9.50 4									9
1 25	0.833 21.2	5.75 146	9.73 247	10.38 264	8.00 203	5.19 132	4.19 106	18.00 8									14
1 1/4 32	1.125 28.6	7.25 184	11.37 28	12.22 310	8.00 203	6.38 162	5.50 140	37.00 17									28
1 1/2 40	1.125 28.6	7.25 184	11.37 28	12.22 310	8.00 203	6.38 162	5.50 140	37.00 17									29
2 50	1.50 38.1	10.13 275	14.19 360	15.26 388	12.00 305	7.45 189	7.38 187	55.00 25									54

