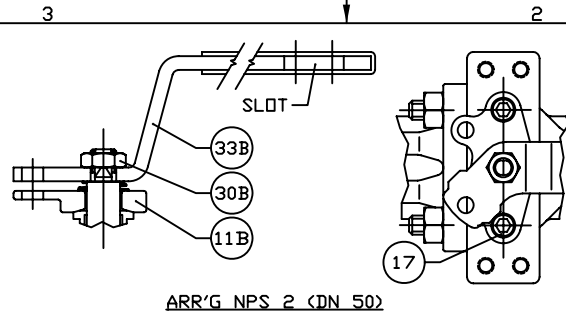


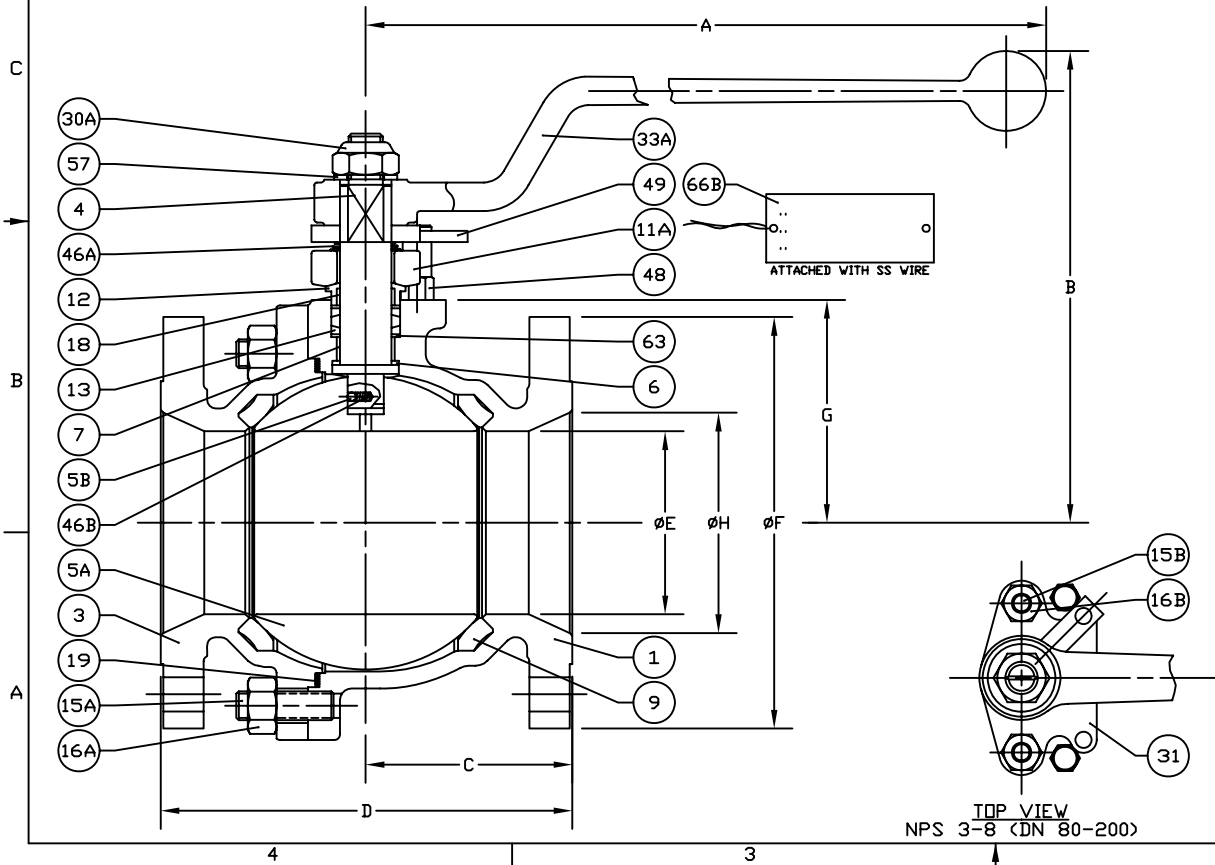
CLASS 300										4		
NPS	A	B	C	D	ØE	ØF	G	ØH	Cv	WT	LB	
2	7.70	5.02	3.92	8.50	1.50	6.12	1.99	2.00	130	26		
3	10.38	5.44	5.56	11.13	2.00	8.25	2.88	3.00	250	52		
4	11.91	7.38	5.99	12.00	3.00	10.00	4.00	4.00	540	98		
6	19.88	10.33	7.94	15.88	4.00	12.50	4.88	6.00	770	182		
8	25.88	12.56	8.25	16.50	6.00	15.00	6.69	8.00	1900	356		
DN											Kv	Kg
50	195	127	100	216	38	165	51	51	115	12		
80	264	138	141	283	51	210	73	76	222	24		
100	302	187	152	305	76	254	102	102	478	45		
150	505	262	202	403	102	318	124	152	682	83		
200	657	319	210	419	152	356	170	203	1682	162		



MATERIAL LIST				(02-SS*A-U)	
PART	DESCRIPTION	QTY	MATERIAL	MATL SPEC	REMARKS
1	BODY	1	WCB	ASTM A216	
3	BODY END	1	WCB	ASTM A216	
4	STEM	1	316 COND. B	ASTM A276	NOTE 2
5A	BALL	1	CF8M	ASTM A351	
5B	GROUNDING BALL	1	316	ASTM A276	NPS 2(DN 50)NONE
6	THRUST WASHER	1	RPTFE	VEL EP-P-0009	
7	STEM BUSHING	1	RPTFE	VEL EP-P-0009	NPS 2,3(DN 50,80)NONE
9C	SEAT *(C)	2	C-RPTFE		
9G	SEAT *(G)	2	RPTFE	VEL EP-P-0009	MATERIAL AS PER ORDER
9T	SEAT *(T)	2	PTFE	VEL EP-P-0009	
11A	PACKING FLANGE	1	CS	ASTM A105	
11B	PACKING FLANGE	1	WCB	ASTM A216	
12	GLAND BUSHING	1	304	ASTM A276	
13	PACKING RING	3	PTFE	VEL EP-P-0009	NPS 2(DN 50)QTY. 4
15A	STUD	-	GR B7 or B7M	ASTM A193	MFG OPTION
15B	STUD	2	GR B7 or B7M	ASTM A193	MFG OPTION-NPS 2(DN 50)NONE
16A	NUT	-	GR 2H or 2HM	ASTM A194	MFG OPTION
16B	NUT	2	GR 2H or 2HM	ASTM A194	MFG OPTION-NPS 2(DN 50)NONE
17	HEX SDC HD CAP SCR	2	GR B7M	ASTM A193	NPS 2(DN 50)ONLY
18	GLAND BSHG SLV	1	RPTFE	VEL EP-P-0009	
19	BODY SEAL	1	316/GRAPHITE	SPIRAL WOUND	
30A	HANDLE NUT	1	CS	PLATED	SELF LOCKING
30B	HANDLE NUT	1	SS	COMMERCIAL	SELF LOCKING
31	LOCK PLATE	1	CS	PLATED	OPTIONAL
33A	HANDLE	1	MALL. IRON	ASTM A47	
33B	HANDLE	1	304	ASTM A240	
46A	SPRING	1	302	ASTM A313	
46B	SPRING	1	302	ASTM A313	NPS 2(DN 50)NONE
48	STOP PIN	2	CS	PLATED	NPS 2(DN 50)NONE
49	STOP PLATE	1	CF8M	ASTM A351	ALT. CA-15A217/NPS 2 NONE
57	WASHER	1	CS	PLATED	NPS 2(DN 50)NONE
63	PACKING WASHER	2	316	ASTM A240	NPS 2,3(DN 50,80)QTY. 4
66A	NAMEPLATE	1	SS	COMMERCIAL	SPOT WELDED
66B	TAG PLATE	1	SS	COMMERCIAL	OPTIONAL

NOTES:

- 1) VALVES DESIGN IN ACCORDANCE WITH ASME B16.34
- 2) NPS 2 (DN 50) 316 ASTM A276, NPS 8 (DN 200) 316 LEVEL 2 ASTM A479.



REV	DESCRIPTION	DATE	DWN	APVD	CR
03	VELAN ORDER NO.				
02	CUSTOMER:				ORDER NO:
01	PROJECT:				JOB NO:
					DRAWN: MPAQUIN 95-05-09
					APVD: 00-10-20
					IND REV CERTIFIED: " 00-10-20
					DWG NO: 6F-10402-SS*A-05
					SHEET 1 OF 1
					REV. DATE: 00-10-20