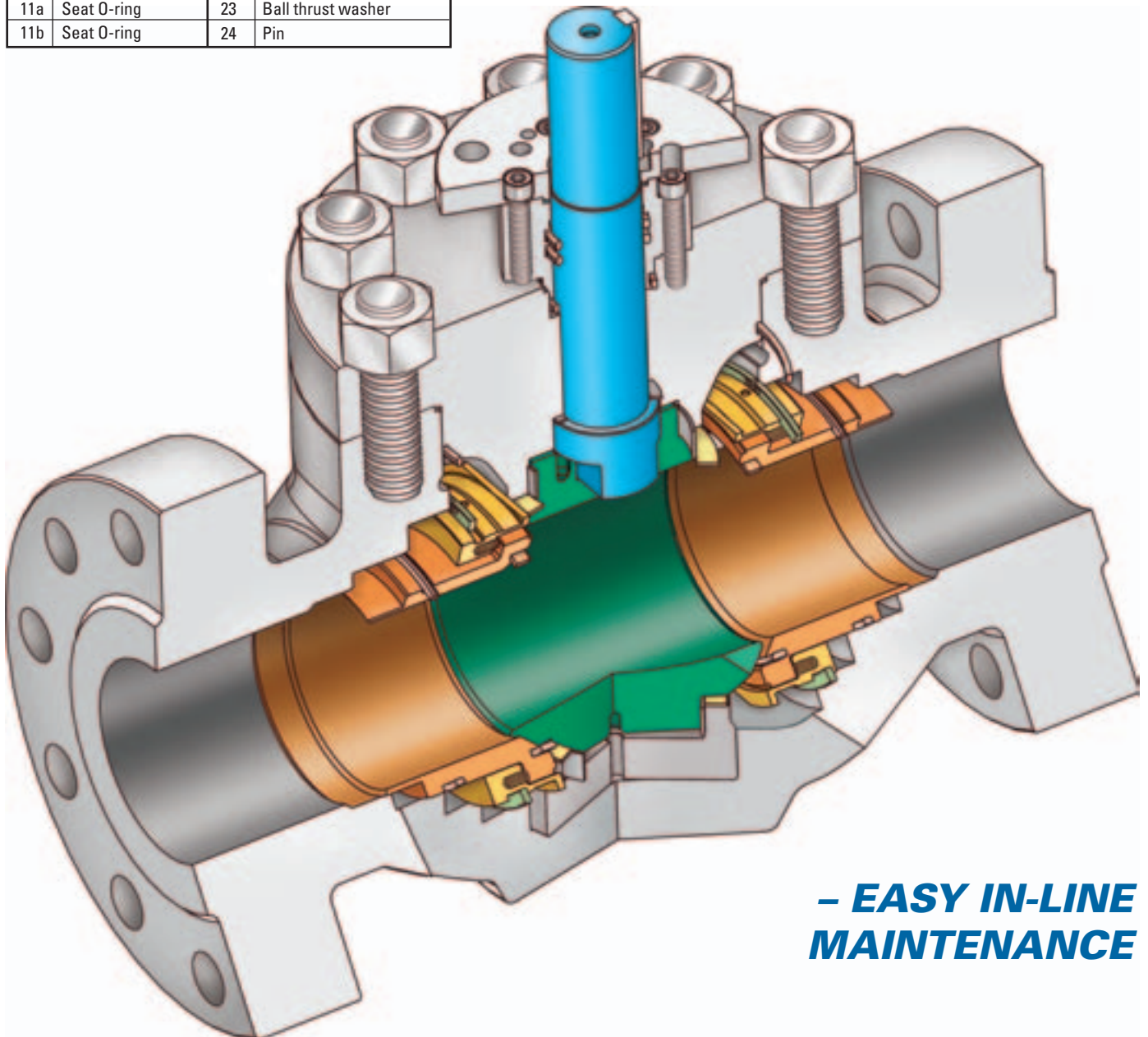


TOP-ENTRY

PARTS LIST			
1	Body	11c	Stem O-ring
2	Bonnet	11d	Gland plate O-ring
3	Ball	12	Body bonnet stud
4	Seat	13	Body bonnet nut
4a	Spacer	14	Socket screw
5	Stem	15	Spring
6	Bearing retainer	15a	Antistatic spring
7	Gland plate	16	Seat greaser
8	Operator flange	17	Check valve
9	Stem key	18	Stem greaser
10	Bonnet gasket	19	Vent bleeder valve
10a	Stem gasket	20	Drain plug
10b	Gland plate gasket	21	Ball bushing
11	Bonnet O-ring	22	Stem thrust washer
11a	Seat O-ring	23	Ball thrust washer
11b	Seat O-ring	24	Pin

RECOMMENDED SPARE PARTS

FOR START UP		FOR MAINTENANCE	
-		4	Seat
10	Bonnet gasket		
10a	Stem gasket		
10b	Gland plate gasket		
11	Bonnet O-ring		
11a	Seat O-ring		
11b	Seat O-ring		
11c	Stem O-ring		
11d	Gland plate O-ring		



**- EASY IN-LINE
MAINTENANCE**