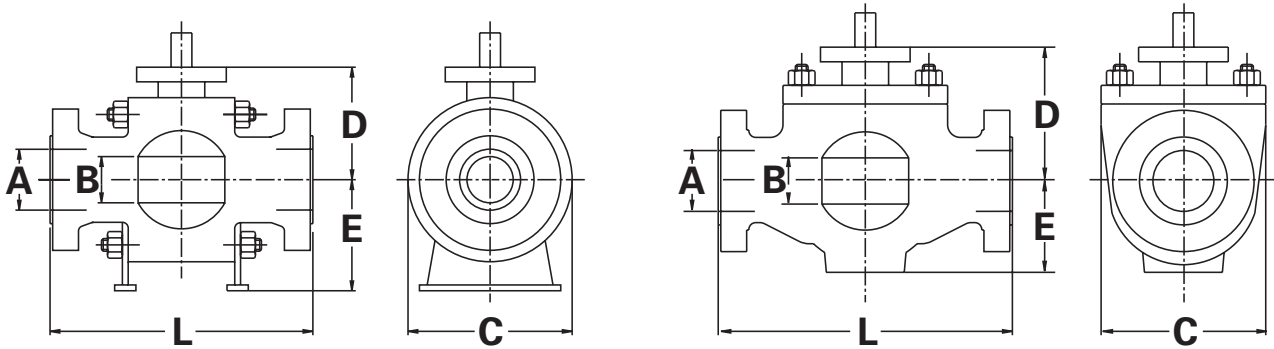


DIMENSIONS & WEIGHTS



ASME CLASS 150 FULL BORE

ALL TYPES			SIDE-ENTRY						WELDED BODY						TOP-ENTRY					
SIZE in/mm	A	B	L-RF	L-WE	C	D	E	WEIGHT lb/kg*	L-RF	L-WE	C	D	E	WEIGHT lb/kg*	L-RF	L-WE	C	D	E	WEIGHT lb/kg*
2	1.93	1.93	7.00	8.50	6.02	4.17	4.02	59	7	8.5	6.02	4.17	4.02	(1)	11.5	11.5	7.09	8.15	3.35	66
50	49	49	178	216	153	106	102	27	178	216	153	106	102	(1)	292	292	180	207	85	30
3	2.91	2.91	8.00	11.13	7.52	6.18	4.96	119	8	11.13	7.52	6.18	4.96	(1)	14	14	9.06	8.78	4.49	125.4
80	74	74	203	283	191	157	126	54	203	283	191	157	126	(1)	356	356	230	223	114	57
4	3.94	3.94	9	12	9.13	7.80	6.42	196	9	12	9.13	7.80	6.42	(1)	17	17	11.10	11.02	5.51	220
100	100	100	229	305	232	198	163	89	229	305	232	198	163	(1)	432	432	282	280	140	100
6	5.91	5.91	15.5	18	12.09	9.72	7.36	352	15.5	18	12.09	9.72	7.36	(1)	22	22	12.72	10.83	8.62	473
150	150	150	394	457	307	247	187	160	394	457	307	247	187	(1)	559	559	323	275	219	215
8	7.91	7.91	18	20.5	15.43	11.02	8.82	557	18	20.5	15.43	11.02	8.82	(1)	26	26	15.94	12.64	10.43	895.4
200	201	201	457	521	392	280	224	253	457	521	392	280	224	(1)	660	660	405	321	265	407
10	9.92	9.92	21	22	18.31	12.60	10.94	851	21	22	18.31	12.60	10.94	(1)	31	31	19.29	13.98	12.40	1232
250	252	252	533	559	465	320	278	387	533	559	465	320	278	(1)	787	787	490	355	315	560
12	11.93	11.93	24	25	21.38	13.27	12.05	1230	24	25	21.38	13.27	12.05	(1)	33	33	22.24	18.50	15.94	1562
300	303	303	610	635	543	337	306	559	610	635	543	337	306	(1)	838	838	565	470	405	710
14	13.15	13.15	27	30	23.94	14.72	13.15	1672	27	30	23.94	14.72	13.15	(1)	35	35	25.98	17.91	17.01	1672
350	334	334	686	762	608	374	334	760	686	762	608	374	334	(1)	889	889	660	455	432	760
16	15.16	15.16	30	33	26.57	16.06	14.09	2244	30	33	26.57	16.06	14.09	(1)	39	39	27.56	18.11	17.76	2420
400	385	385	762	838	675	408	358	1020	762	838	675	408	358	(1)	991	991	700	460	451	1100
18	17.17	17.17	34	36	25.00	17.28	15.35	2673	34	36	25.00	17.28	15.35	(1)	43	43	29.41	19.80	18.58	3326.4
450	436	436	864	914	635	439	390	1215	864	914	635	439	390	(1)	1092	1092	747	503	472	1512
20	19.17	19.17	36	39	33.43	19.37	17.09	3945	36	39	33.43	19.37	17.09	(1)	47	47	33.43	22.05	22.05	4246
500	487	487	914	991	849	492	434	1793	914	991	849	492	434	(1)	1194	1194	849	560	560	1930
22	21.18	21.18	40	43	36.81	20.79	18.78	5190	40	43	36.81	20.79	18.78	(1)	51	51	36.81	22.24	23.27	6050
550	538	538	991	1092	935	528	477	2359	991	1092	935	528	477	(1)	1296	1296	935	565	591	2750
24	23.19	23.19	42	45	39.57	23.15	20.59	6818	42	45	39.57	23.15	20.59	(1)	55	55	39.57	24.02	23.62	7040
600	589	589	1067	1143	1005	588	523	3099	1067	1143	1005	588	523	(1)	1397	1397	1005	610	600	3200
26	24.92	24.92	45	49	41.97	24.69	22.20	8107	45	49	41.97	24.69	22.20	(1)	57	57	41.97	26.38	24.88	8360
650	633	633	1143	1245	1066	627	564	3685	1143	1245	1066	627	564	(1)	1448	1448	1066	670	632	3800
28	26.93	26.93	49	53	44.72	25.35	25.91	9878	49	53	44.72	25.35	25.91	(1)	61	61	44.72	28.74	27.95	10120
700	684	684	1244	1347	1136	644	658	4490	1244	1347	1136	644	658	(1)	1549	1549	1136	730	710	4600
30	28.94	28.94	51	55	38.78	27.20	27.72	11473	51	55	38.78	27.20	27.72	(1)	65	65	49.57	31.50	31.10	12386
750	735	735	1295	1397	985	691	704	5215	1295	1397	985	691	704	(1)	1651	1651	1259	800	790	5630
32	30.67	30.67	54	60	51.18	29.21	29.37	14960	54	60	51.18	29.21	29.37	(1)	70	70	51.18	33.31	32.68	15587
800	779	779	1371	1524	1300	742	746	6800	1371	1524	1300	742	746	(1)	1778	1778	1300	846	830	7085
34	32.68	32.68	58	64	53.94	29.88	30.43	17160	58	64	53.94	29.88	30.43	(1)	76	76	55.12	34.25	34.65	17160
850	830	830	1473	1626	1370	759	773	7800	1473	1626	1370	759	773	(1)	1930	1930	1400	870	880	7800
36	34.41	34.41	60	68	56.30	31.97	31.77	19360	60	68	56.30	31.97	31.77	(1)	82	82	56.61	36.81	36.73	20020
900	874	874	1524	1728	1430	812	807	8800	1524	1728	1430	812	807	(1)	2083	2083	1438	935	933	9100
40	38.43	38.43	69	77	62.80	35.43	35.35	27632	69	77	62.80	35.43	35.35	(1)	92	92	64.96	39.84	40.55	28138
1000	976	976	1753	1956	1595	900	898	12560	1753	1956	1595	900	898	(1)	2337	2337	1650	1012	1030	12790
42	40.16	40.16	72	82	64.96	37.13	36.89	31416	72	82	64.96	37.13	36.89	(1)	96	96	66.93	42.13	41.93	33220
1050	1020	1020	1855	2083	1650	943	937	14280	1855	2083	1650	943	937	(1)	2437	2437	1700	1070	1065	15100
48	45.91	45.91	80	94	75.59	43.19	41.97	48180	80	94	75.59	43.19	41.97	(1)	100	100	76.77	46.85	48.43	49720
1200	1166	1166	2134	2388	1920	1097	1066	21900	2134	2388	1920	1097	1066	(1)	2540	2540	1950	1190	1230	22600
56	53.54	53.54	97.99	97.99	88.98	51.26	49.33	70520	97.99	97.99	88.98	51.26	49.33	(1)	TBA	TBA	TBA	TBA	TBA	TBA
1400	1360	1360	2489	2489	2260	1302	1253	34100	2489	2489	2260	1302	1253	(1)	TBA	TBA	TBA	TBA	TBA	TBA

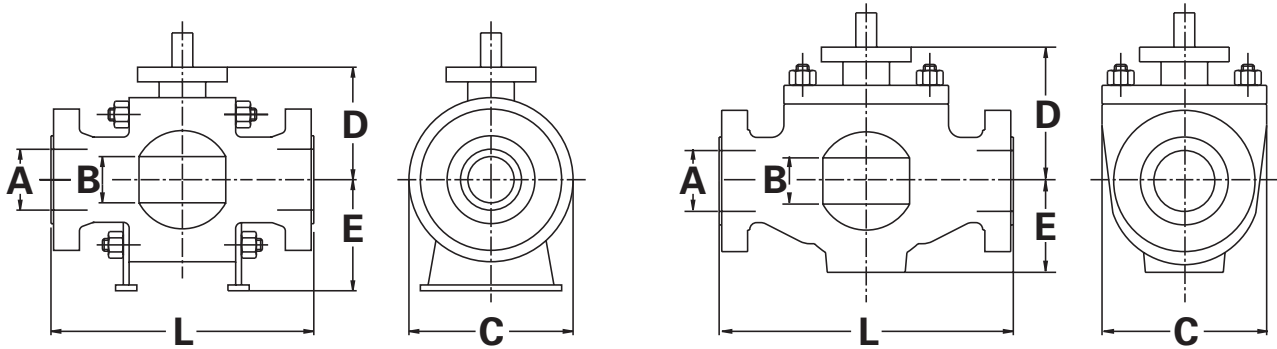
* Weight figures are relevant to flanged end valves.

(1) Please consult the factory.

Note: For dimensions & weights in larger sizes consult the factory.

Dimensions C, D, E and weights are subject to change without notice.

DIMENSIONS & WEIGHTS



ASME CLASS 150 REDUCED BORE

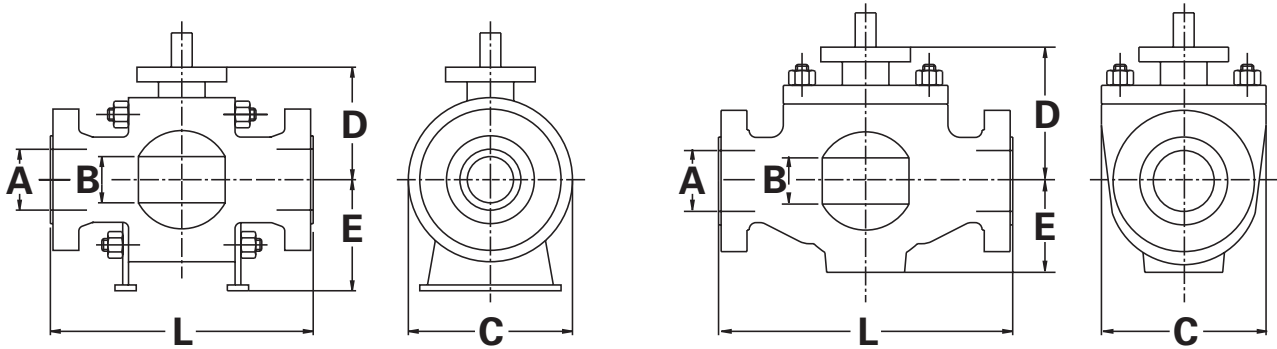
ALL TYPES			SIDE-ENTRY							WELDED BODY							TOP-ENTRY						
SIZE in/mm	A	B	L-RF	L-WE	C	D	E	WEIGHT lb/kg*	L-RF	L-WE	C	D	E	WEIGHT lb/kg*	L-RF	L-WE	C	D	E	WEIGHT lb/kg*			
2 × 1½ 50 × 40	1.93 49	1.50 38	7 178	8.5 216	5.98 152	3.70 94	3.86 98	55 25	7 178	8.5 216	5.98 152	3.70 94	3.86 98	(1)	11.50 292	11.50 292	6.89 175	8.15 207	3.35 85	55 25			
3 × 2 80 × 50	2.91 74	1.93 49	11.13 203	3.03 283	7.52 191	4.17 106	3.94 100	66 30	11.13 203	3.03 283	7.52 191	4.17 106	3.94 100	(1)	14.02 356	14.02 356	7.52 191	8.27 210	3.43 87	74.8 34			
4 × 3 100 × 80	3.94 100	2.91 74	12 229	4.02 305	9.02 229	6.06 154	5.00 127	132 60	12 229	4.02 305	9.02 229	6.06 154	5.00 127	(1)	17.01 432	17.01 432	9.06 230	8.86 225	4.33 110	154 70			
6 × 4 150 × 100	5.91 150	3.94 100	15.5 394	18 457	10.98 279	7.80 198	6.42 163	220 100	15.5 394	18 457	10.98 279	7.80 198	6.42 163	(1)	22.01 559	22.01 559	10.98 279	10.63 270	5.63 143	286 130			
8 × 6 200 × 150	7.91 201	5.91 150	18 457	20.5 521	13.50 343	9.92 252	7.36 187	407 185	18 457	20.5 521	13.50 343	9.92 252	7.36 187	(1)	25.98 660	25.98 660	13.50 343	10.83 275	8.46 215	550 250			
10 × 8 250 × 200	9.92 252	7.91 201	21 533	22 559	15.98 406	11.02 280	8.74 222	640 291	21 533	22 559	15.98 406	11.02 280	8.74 222	(1)	30.98 787	30.98 787	15.98 406	12.60 320	10.31 262	1001 455			
12 × 10 300 × 250	11.93 303	9.92 252	24 610	25 635	19.02 483	12.72 323	11.02 280	1016 462	24 610	25 635	19.02 483	12.72 323	11.02 280	(1)	32.99 838	32.99 838	19.09 485	13.98 355	12.20 310	1067 485			
14 × 10 350 × 250	13.15 334	9.92 252	27 686	30 762	21.06 535	12.76 324	10.83 275	1140 518	27 686	30 762	21.06 535	12.76 324	10.83 275	(1)	35.00 889	35.00 889	21.06 535	13.98 355	12.20 310	1463 665			
14 × 12 350 × 300	13.15 334	11.93 303	27 686	30 762	21.06 535	13.46 342	11.81 300	1342 610	27 686	30 762	21.06 535	13.46 342	11.81 300	(1)	35.00 889	35.00 889	21.06 535	18.70 475	15.55 395	1738 790			
16 × 12 400 × 300	15.16 385	11.93 303	30 762	33 838	23.43 595	13.62 346	11.93 303	1536 698	30 762	33 838	23.43 595	13.62 346	11.93 303	(1)	39.02 991	39.02 991	23.43 595	18.70 475	15.55 395	2068 940			
16 × 14 400 × 350	15.16 385	13.15 334	30 762	33 838	23.43 595	14.57 370	13.19 335	1804 820	30 762	33 838	23.43 595	14.57 370	13.19 335	(1)	39.02 991	39.02 991	25.98 660	17.72 450	16.93 430	1997.6 908			
18 × 16 450 × 400	17.17 436	15.16 385	34 864	36 914	25.00 635	16.34 415	13.70 348	2332 1060	34 864	36 914	25.00 635	16.34 415	13.70 348	(1)	42.99 1092	42.99 1092	27.56 700	18.11 460	17.72 450	2745.6 1248			
20 × 16 500 × 400	19.17 487	15.16 385	36 914	39 991	27.56 700	16.34 415	13.78 350	2420 1100	36 914	39 991	27.56 700	16.34 415	13.78 350	(1)	47.01 1194	47.01 1194	27.56 700	18.11 460	17.72 450	3392.4 1542			
20 × 18 500 × 450	19.17 487	17.17 436	36 914	39 991	27.56 700	17.28 439	15.35 390	2618 1190	36 914	39 991	27.56 700	17.28 439	15.35 390	(1)	47.01 1194	47.01 1194	29.33 745	19.49 495	18.50 470	3828 1740			
24 × 20 600 × 500	23.19 589	19.17 487	42 1067	45 1143	32.09 815	19.29 490	17.13 435	4334 1970	42 1067	45 1143	32.09 815	19.29 490	17.13 435	(1)	55.00 1397	55.00 1397	34.25 870	21.65 550	22.83 580	5231.6 2378			
30 × 24 750 × 600	28.94 735	23.19 589	51 1295	55 1397	38.78 985	23.15 588	20.28 515	7150 3250	51 1295	55 1397	38.78 985	23.15 588	20.28 515	(1)	65.00 1651	65.00 1651	40.16 1020	23.23 590	23.31 592	8817.6 4008			
36 × 30 900 × 750	34.41 874	28.94 735	60 1524	68 1728	46.06 1170	27.17 690	27.56 700	13891 6314	60 1524	68 1728	46.06 1170	27.17 690	27.56 700	(1)	82.01 2083	82.01 2083	49.21 1250	31.30 795	30.12 765	15505.6 7048			

* Weight figures are relevant to flanged end valves.

(1) Please consult the factory.

Note: For dimensions & weights in larger sizes consult the factory.
Dimensions C, D, E and weights are subject to change without notice.

DIMENSIONS & WEIGHTS



ASME CLASS 300 FULL BORE

ALL TYPES			SIDE-ENTRY						WELDED BODY						TOP-ENTRY					
SIZE in/mm	A	B	L-RF	L-WE	C	D	E	WEIGHT lb/kg*	L-RF	L-WE	C	D	E	WEIGHT lb/kg*	L-RF	L-WE	C	D	E	WEIGHT lb/kg*
2	1.93	1.93	8.5	8.5	6.5	3.9	3.7	59	8.5	8.5	6.5	3.9	3.7	(1)	11.50	11.50	7.28	8.31	3.54	79
50	49	49	216	216	165	100	95	27	216	216	165	100	95	(1)	292	292	185	211	90	36
3	2.91	2.91	11.1	11.1	8.3	5.9	4.7	121	11.1	11.1	8.3	5.9	4.7	(1)	14.02	14.02	9.25	8.90	4.69	139
80	74	74	283	283	210	150	120	55	283	283	210	150	120	(1)	356	356	235	226	119	63
4	3.94	3.94	12.0	12.0	10.0	7.9	6.3	202	12.0	12.0	10.0	7.9	6.3	(1)	17.01	17.01	11.30	11.26	5.71	233
100	100	100	305	305	254	200	160	92	305	305	254	200	160	(1)	432	432	287	286	145	106
6	5.91	5.91	15.9	18.0	12.5	9.6	7.9	400	15.9	18.0	12.5	9.6	7.9	(1)	22.01	22.01	12.99	11.10	8.82	486
150	150	150	403	457	318	245	200	182	403	457	318	245	200	(1)	559	559	330	282	224	221
8	7.91	7.91	19.8	20.5	15.2	10.8	9.1	612	19.8	20.5	15.2	10.8	9.1	(1)	25.98	25.98	16.14	12.80	10.63	906
200	201	201	502	521	385	275	230	278	502	521	385	275	230	(1)	660	660	410	325	270	412
10	9.92	9.92	22.4	22.0	18.5	13.0	11.6	1100	22.4	22.0	18.5	13.0	11.6	(1)	30.98	30.98	19.69	14.17	12.60	1245
250	252	252	568	559	470	330	295	500	568	559	470	330	295	(1)	787	787	500	360	320	566
12	11.93	11.93	25.5	25.0	21.3	14.0	13.0	1613	25.5	25.0	21.3	14.0	13.0	(1)	32.99	32.99	22.44	18.70	16.14	1573
300	303	303	648	635	540	355	330	733	648	635	540	355	330	(1)	838	838	570	475	410	715
14	13.15	13.15	30.0	30.0	24.8	15.4	13.6	2264	30.0	30.0	24.8	15.4	13.6	(1)	35.00	35.00	26.18	18.11	17.20	1685
350	334	334	762	762	630	390	345	1029	762	762	630	390	345	(1)	889	889	665	460	437	766
16	15.16	15.16	33.0	33.0	27.3	16.9	15.4	3120	33.0	33.0	27.3	16.9	15.4	(1)	39.02	39.02	27.83	18.31	17.95	2433
400	385	385	838	838	693	430	390	1418	838	838	693	430	390	(1)	991	991	707	465	456	1106
18	17.17	17.17	36.0	36.0	30.3	17.9	16.1	3502	36.0	36.0	30.3	17.9	16.1	(1)	42.99	42.99	29.61	20.00	18.78	3342
450	436	436	914	914	770	455	410	1592	914	914	770	455	410	(1)	1092	1092	752	508	477	1519
20	19.17	19.17	39.0	39.0	33.5	19.7	18.3	4829	39.0	39.0	33.5	19.7	18.3	(1)	47.01	47.01	33.66	22.24	22.24	4259
500	487	487	991	991	850	500	465	2195	991	991	850	500	465	(1)	1194	1194	855	565	565	1936
22	21.18	21.18	43.0	43.0	37.0	20.7	18.9	6134	43.0	43.0	37.0	20.7	18.9	(1)	51.02	51.02	37.09	22.52	23.46	6063
550	538	538	1092	1092	940	525	480	2788	1092	1092	940	525	480	(1)	1296	1296	942	572	596	2756
24	23.19	23.19	45.0	45.0	40.2	23.2	21.5	7612	45.0	45.0	40.2	23.2	21.5	(1)	55.00	55.00	39.76	24.29	23.82	7058
600	589	589	1143	1143	1020	590	545	3460	1143	1143	1020	590	545	(1)	1397	1397	1010	617	605	3208
26	24.92	24.92	49.0	49.0	42.5	24.8	22.8	10252	49.0	49.0	42.5	24.8	22.8	(1)	57.01	57.01	42.20	26.69	25.08	8378
650	633	633	1245	1245	1080	630	580	4660	1245	1245	1080	630	580	(1)	1448	1448	1072	678	637	3808
28	26.93	26.93	53.0	53.0	45.3	25.2	26.2	12694	53.0	53.0	45.3	25.2	26.2	(1)	60.98	60.98	44.92	29.06	28.15	10135
700	684	684	1346	1346	1150	640	665	5770	1346	1346	1150	640	665	(1)	1549	1549	1141	738	715	4607
30	28.94	28.94	55.0	55.0	48.6	27.6	28.7	14498	55.0	55.0	48.6	27.6	28.7	(1)	65.00	65.00	49.80	31.93	31.30	12404
750	735	735	1397	1397	1235	700	730	6590	1397	1397	1235	700	730	(1)	1651	1651	1265	811	795	5638
32	30.67	30.67	60.0	60.0	52.0	29.3	30.1	17450	60.0	60.0	52.0	29.3	30.1	(1)	70.00	70.00	51.65	33.46	32.87	15602
800	779	779	1524	1524	1320	745	765	7932	1524	1524	1320	745	765	(1)	1778	1778	1312	850	835	7092
34	32.68	32.68	64.0	64.0	54.7	29.9	31.5	19888	64.0	64.0	54.7	29.9	31.5	(1)	75.98	75.98	55.43	34.53	34.84	17184
850	830	830	1626	1626	1390	760	800	9040	1626	1626	1390	760	800	(1)	1930	1930	1408	877	885	7811
36	34.41	34.41	68.0	68.0	56.9	31.7	32.5	22005	68.0	68.0	56.9	31.7	32.5	(1)	82.01	82.01	56.89	37.09	36.93	20046
900	874	874	1727	1727	1445	805	825	10093	1727	1727	1445	805	825	(1)	2083	2083	1445	942	938	9112
40	38.43	38.43	77.0	77.0	63.8	35.4	36.2	30305	77.0	77.0	63.8	35.4	36.2	(1)	92.01	92.01	65.47	40.16	40.79	28156
1000	976	976	1956	1956	1620	900	920	13775	1956	1956	1620	900	920	(1)	2337	2337	1663	1020	1036	12798
42	40.16	40.16	82.0	82.0	66.3	38.1	37.4	35431	82.0	82.0	66.3	38.1	37.4	(1)	95.94	95.94	67.52	42.56	42.13	33249
1050	1020	1020	2083	2083	1685	968	950	16105	2083	2083	1685	968	950	(1)	2437	2437	1715	1081	1070	15113
48	45.91	45.91	85.4	85.4	57.5	43.3	43.3	52932	85.4	85.4	57.5	43.3	43.3	(1)	100.00	100.00	77.36	47.28	48.66	49751
1200	1166	1166	2170	2170	1460	1100	1100	24060	2170	2170	1460	1100	1100	(1)	2540	2540	1965	1201	1236	22614
56	53.54	53.54	108.0	108.0	89.6	50.6	50.0	83941	108.0	108.0	89.6	50.6	50.0	(1)	(1)	(1)	(1)	(1)	(1)	(1)
1400	1360	1360	2743	2743	2275	1285	1270	38155	2743	2743	2275	1285	1270	(1)	(1)	(1)	(1)	(1)	(1)	(1)

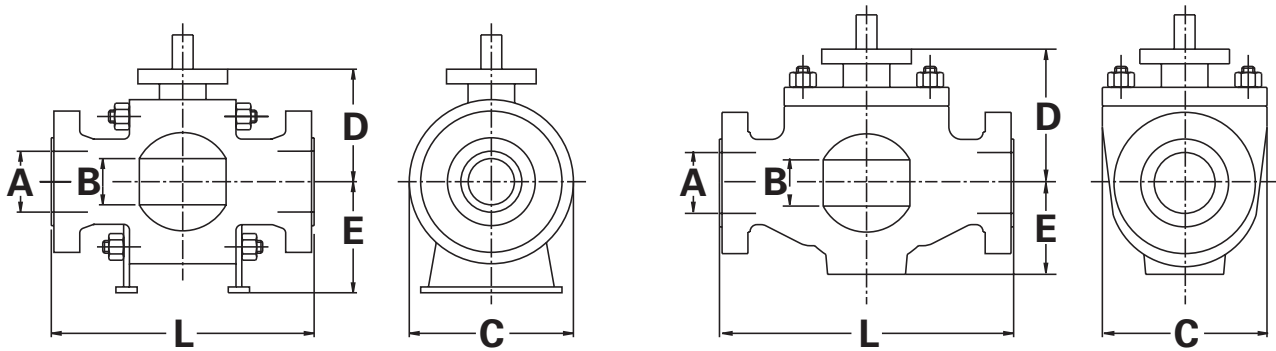
* Weight figures are relevant to flanged end valves.

(1) Please consult the factory.

Note: For dimensions & weights in larger sizes consult the factory.

Dimensions C, D, E and weights are subject to change without notice.

DIMENSIONS & WEIGHTS

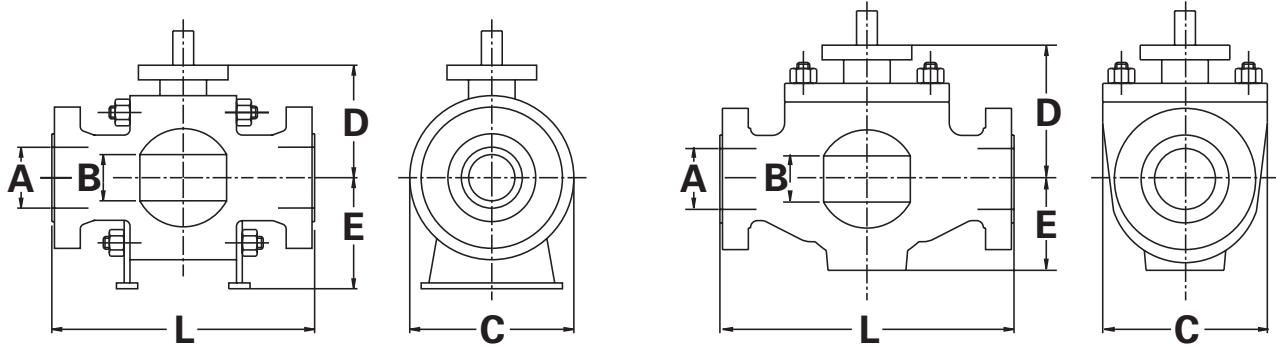


ASME CLASS 300 REDUCED BORE

ALL TYPES			SIDE-ENTRY						WELDED BODY						TOP-ENTRY					
SIZE in/mm	A	B	L-RF	L-WE	C	D	E	WEIGHT lb/kg*	L-RF	L-WE	C	D	E	WEIGHT lb/kg*	L-RF	L-WE	C	D	E	WEIGHT lb/kg*
2 × 1½ 50 × 40	1.93 49	1.50 38	8.5 216	8.5 216	6.5 165	3.7 94	3.9 100	55 25	8.5 216	8.5 216	6.5 165	3.7 94	3.9 100	(1)	11.5 292	11.5 292	7.0 178	8.1 206	3.1 80	57.2 26
3 × 2 80 × 50	2.91 74	1.93 49	11.1 283	11.1 283	8.3 210	3.9 100	3.7 95	70.4 32	11.1 283	11.1 283	8.3 210	3.9 100	3.7 95	(1)	14.0 356	14.0 356	8.3 210	8.3 211	3.5 90	92.4 42
4 × 3 100 × 80	3.94 100	2.91 74	12.0 305	12.0 305	10.0 254	5.9 150	4.7 120	136.4 62	12.0 305	12.0 305	10.0 254	5.9 150	4.7 120	(1)	17.0 432	17.0 432	10.0 254	8.9 226	4.7 119	180.4 82
6 × 4 150 × 100	5.91 150	3.94 100	15.9 403	18.0 457	12.5 318	7.9 200	6.3 160	253 115	15.9 403	18.0 457	12.5 318	7.9 200	6.3 160	(1)	22.0 559	22.0 559	12.5 318	11.3 286	5.7 145	354.2 161
8 × 6 200 × 150	7.91 201	5.91 150	19.8 502	20.5 521	15.0 381	9.6 245	7.9 200	481.8 219	19.8 502	20.5 521	15.0 381	9.6 245	7.9 200	(1)	26.0 660	26.0 660	15.0 381	11.1 282	8.8 224	627 285
10 × 8 250 × 200	9.92 252	7.91 201	22.4 568	22.0 559	17.5 445	10.8 275	9.1 230	642.4 292	22.4 568	22.0 559	17.5 445	10.8 275	9.1 230	(1)	31.0 787	31.0 787	17.5 445	12.8 325	10.6 270	1179.2 536
12 × 10 300 × 250	11.93 303	9.92 252	25.5 648	25.0 635	20.5 520	13.0 330	11.6 295	1306.8 594	25.5 648	25.0 635	20.5 520	13.0 330	11.6 295	(1)	33.0 838	33.0 838	20.5 520	14.2 360	12.6 320	1258.4 572
14 × 10 350 × 250	13.15 334	9.92 252	30.0 762	30.0 762	23.0 585	13.0 330	11.6 295	1414.6 643	30.0 762	30.0 762	23.0 585	13.0 330	11.6 295	(1)	35.0 889	35.0 889	20.5 520	14.2 360	12.6 320	1718.2 781
14 × 12 350 × 300	13.15 334	11.93 303	30.0 762	30.0 762	23.0 585	14.0 355	13.0 330	1795.2 816	30.0 762	30.0 762	23.0 585	14.0 355	13.0 330	(1)	35.0 889	35.0 889	23.0 585	18.7 475	16.1 410	2015.2 916
16 × 12 400 × 300	15.16 385	11.93 303	33.0 838	33.0 838	25.6 650	14.0 355	13.0 330	2123 965	33.0 838	33.0 838	25.6 650	14.0 355	13.0 330	(1)	39.0 991	39.0 991	25.6 650	18.7 475	16.1 410	2402.4 1092
16 × 14 400 × 350	15.16 385	13.15 334	33.0 838	33.0 838	25.6 650	15.4 390	13.6 345	2475 1125	33.0 838	33.0 838	25.6 650	15.4 390	13.6 345	(1)	39.0 991	39.0 991	26.2 665	18.1 460	17.2 437	2409 1095
18 × 16 450 × 400	17.17 436	15.16 385	36.0 914	36.0 914	28.0 710	16.9 430	15.4 390	3504.6 1593	36.0 914	36.0 914	28.0 710	16.9 430	15.4 390	(1)	43.0 1092	43.0 1092	28.0 710	18.3 465	18.0 456	3216.4 1462
20 × 16 500 × 400	19.17 487	15.16 385	39.0 991	39.0 991	30.5 775	16.9 430	15.4 390	3658.6 1663	39.0 991	39.0 991	30.5 775	16.9 430	15.4 390	(1)	47.0 1194	47.0 1194	30.5 775	18.3 465	18.0 456	3979.8 1809
20 × 18 500 × 450	19.17 487	17.17 436	39.0 991	39.0 991	30.5 775	17.9 455	16.1 410	3942.4 1792	39.0 991	39.0 991	30.5 775	17.9 455	16.1 410	(1)	47.0 1194	47.0 1194	30.5 775	20.0 508	18.8 477	4450.6 2023
24 × 20 600 × 500	23.19 589	19.17 487	45.0 1143	45.0 1143	36.0 915	19.7 500	18.3 465	5854.2 2661	45.0 1143	45.0 1143	36.0 915	19.7 500	18.3 465	(1)	55.0 1397	55.0 1397	36.0 915	22.2 565	22.2 565	6102.8 2774
30 × 24 750 × 600	28.94 735	23.19 589	55.0 1397	55.0 1397	42.9 1090	23.2 590	21.5 545	9864.8 4484	55.0 1397	55.0 1397	42.9 1090	23.2 590	21.5 545	(1)	65.0 1651	65.0 1651	42.9 1090	24.3 617	23.8 605	10263 4665
36 × 30 900 × 750	34.41 874	28.94 735	68.0 1727	68.0 1727	50.0 1270	27.6 700	28.7 730	18002.6 8183	68.0 1727	68.0 1727	50.0 1270	27.6 700	28.7 730	(1)	82.0 2083	82.0 2083	50.0 1270	31.9 811	31.3 795	18255.6 8298

* Weight figures are relevant to flanged end valves.
 (1) Please consult the factory.
 Note: For dimensions & weights in larger sizes consult the factory.
 Dimensions C, D, E and weights are subject to change without notice.

DIMENSIONS & WEIGHTS

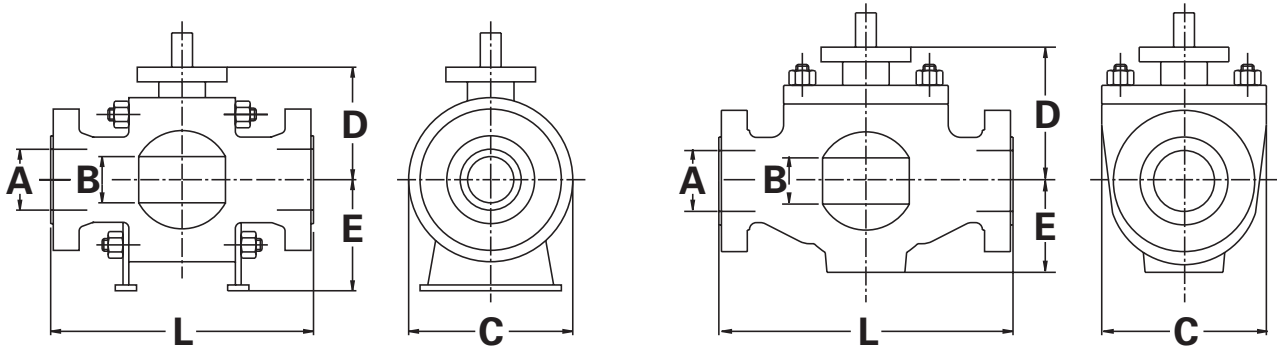


ASME CLASS 600 FULL BORE

ALL TYPES		SIDE-ENTRY								WELDED BODY							TOP-ENTRY							
SIZE in/mm	A	B	L-RF	L-RTJ	L-WE	C	D	E	WEIGHT lb/kg*	L-RF	L-RTJ	L-WE	C	D	E	WEIGHT lb/kg*	L-RF	L-RTJ	L-WE	C	D	E	WEIGHT lb/kg*	
2 50	1.93 49	1.93 49	11.5 292	11.63 295	11.5 292	6.5 165	4.0 102	3.9 98	68 31	11.5 292	11.63 295	11.5 292	6.5 165	4.0 102	3.9 98	(1)	11.50 292	11.63 295	11.50 292	7.48 190	8.46 215	3.74 95	90 41	
3 80	2.91 74	2.91 74	14.0 356	14.13 359	14.0 356	8.3 210	6.5 165	5.0 128	136 62	14.0 356	14.13 359	14.0 356	8.3 210	6.5 165	5.0 128	(1)	14.02 356	14.13 359	14.02 356	9.45 240	9.13 232	4.88 124	147 67	
4 100	3.94 100	3.94 100	17.0 432	17.13 435	17.0 432	10.7 273	8.3 210	6.3 160	249 113	17.0 432	17.13 435	17.0 432	10.7 273	8.3 210	6.3 160	(1)	17.01 432	17.13 435	17.01 432	11.42 290	11.57 294	5.91 150	242 110	
6 150	5.91 150	5.91 150	22.0 559	22.13 562	22.0 559	14.0 356	9.8 250	7.9 200	557 253	22.0 559	22.13 562	22.0 559	14.0 356	9.8 250	7.9 200	(1)	22.01 559	22.13 562	22.01 559	13.19 335	11.30 287	5.08 129	497 226	
8 200	7.91 201	7.91 201	26.0 660	26.13 664	26.0 660	16.5 419	11.3 288	10.0 255	1067 485	26.0 660	26.13 664	26.0 660	16.5 419	11.3 288	10.0 255	(1)	25.98 660	26.13 664	25.98 660	16.34 415	16.34 415	10.83 275	917 417	
10 250	9.92 252	9.92 252	31.0 787	31.13 791	31.0 787	20.1 510	13.0 330	12.1 308	1668 758	31.0 787	31.13 791	31.0 787	20.1 510	13.0 330	12.1 308	(1)	30.98 787	31.13 791	30.98 787	19.88 505	14.37 365	12.80 325	1254 570	
12 300	11.93 303	11.93 303	33.0 838	33.13 841	33.0 838	22.6 575	14.9 378	13.7 348	2347 1067	33.0 838	33.13 841	33.0 838	22.6 575	14.9 378	13.7 348	(1)	32.99 838	33.13 841	32.99 838	22.64 575	18.90 480	16.34 415	1584 720	
14 350	13.15 334	13.15 334	35.0 889	35.13 892	35.0 889	24.7 628	15.5 394	14.2 360	2383 1083	35.0 889	35.13 892	35.0 889	24.7 628	15.5 394	14.2 360	(1)	35.00 889	35.13 892	35.00 889	26.38 670	18.31 465	17.40 442	1694 770	
16 400	15.16 385	15.16 385	39.0 991	39.13 994	39.0 991	27.6 700	16.9 430	16.1 410	3355 1525	39.0 991	39.13 994	39.0 991	27.6 700	16.9 430	16.1 410	(1)	39.02 991	39.13 994	39.02 991	28.03 712	18.50 470	18.15 461	2446 1112	
18 450	17.17 436	17.17 436	43.0 1092	43.13 1095	43.0 1092	30.5 774	18.4 467	16.9 430	4609 2095	43.0 1092	43.13 1095	43.0 1092	30.5 774	18.4 467	16.9 430	(1)	42.99 1092	43.13 1095	42.99 1092	29.80 757	20.16 512	18.98 482	3351 1523	
20 500	19.17 487	19.17 487	47.0 1194	47.25 1200	47.0 1194	34.1 865	19.7 500	19.4 492	5804 2638	47.0 1194	47.25 1200	47.0 1194	34.1 865	19.7 500	19.4 492	(1)	47.01 1194	47.25 1200	47.01 1194	33.86 860	22.44 570	22.44 570	4268 1940	
22 550	21.18 538	21.18 538	51.0 1296	51.38 1305	51.0 1296	37.4 950	37.4 950	19.9 505	8331 3787	51.0 1296	51.38 1305	51.0 1296	37.4 950	37.4 950	19.9 505	(1)	51.02 1296	51.38 1305	51.02 1296	37.28 947	22.76 578	23.70 602	6072 2760	
24 600	23.19 589	23.19 589	55.0 1397	55.38 1406	55.0 1397	40.5 1028	23.4 594	22.4 570	10419 4736	55.0 1397	55.38 1406	55.0 1397	40.5 1028	23.4 594	22.4 570	(1)	55.00 1397	55.38 1406	55.00 1397	39.96 1015	24.49 622	24.02 610	7069 3213	
26 650	24.92 633	24.92 633	57.0 1448	57.50 1460	57.0 1448	40.0 1015	24.8 630	24.3 618	12423 5647	57.0 1448	57.50 1460	57.0 1448	40.0 1015	24.8 630	24.3 618	(1)	57.01 1448	57.50 1460	57.01 1448	42.44 1078	26.85 682	25.20 640	8389 3813	
28 700	26.93 684	26.93 684	61.0 1549	61.50 1562	61.0 1549	46.1 1172	26.2 665	27.2 692	14868 6758	61.0 1549	61.50 1562	61.0 1549	46.1 1172	26.2 665	27.2 692	(1)	60.98 1549	61.50 1562	60.98 1549	45.12 1146	29.21 742	28.43 722	10146 4612	
30 750	28.94 735	28.94 735	66.3 1684	65.50 1697	66.3 1684	50.8 1290	29.2 741	31.5 800	18429 8377	66.3 1684	65.50 1697	66.3 1684	50.8 1290	29.2 741	31.5 800	(1)	66.30 1684	65.50 1697	66.30 1684	50.00 1270	32.17 817	31.65 804	12408 5640	
32 800	30.67 779	30.67 779	70.0 1778	70.72 1794	70.0 1778	52.4 1330	29.8 756	31.7 804	21424 9738	70.0 1778	70.72 1794	70.0 1778	52.4 1330	29.8 756	31.7 804	(1)	70.00 1778	70.72 1794	70.00 1778	51.85 1317	33.66 855	33.07 840	15627 7103	
34 850	32.68 830	32.68 830	76.0 1930	76.52 1946	76.0 1930	55.1 1400	30.8 782	32.2 817	24939 11336	76.0 1930	76.52 1946	76.0 1930	55.1 1400	30.8 782	32.2 817	(1)	75.98 1930	76.52 1946	75.98 1930	56.02 1423	35.16 893	35.04 890	17208 7822	
36 900	34.41 874	34.41 874	82.0 2083	82.63 2098	82.0 2083	60.9 1546	34.2 869	37.2 945	29256 13298	82.0 2083	82.63 2098	82.0 2083	60.9 1546	34.2 869	37.2 945	(1)	82.01 2083	82.63 2098	82.01 2083	57.09 1450	37.28 947	37.17 944	20060 9118	
40 1000	38.43 976	38.43 976	85.4 2170	85.43 2170	85.4 2170	64.8 1645	36.1 916	38.6 980	40337 18335	85.4 2170	85.43 2170	85.4 2170	64.8 1645	36.1 916	38.6 980	(1)	85.43 2170	85.43 2170	85.43 2170	65.67 1668	40.35 1025	40.98 1041	28171 12805	
42 1050	40.16 1020	40.16 1020	85.6 2175	85.63 2175	85.6 2175	70.7 1795	39.2 995	43.7 1110	46983 21356	85.6 2175	85.63 2175	85.6 2175	70.7 1795	39.2 995	43.7 1110	(1)	85.63 2175	85.63 2175	85.63 2175	67.72 1720	42.76 1086	42.32 1075	33260 15118	
48 1200	45.91 1166	45.91 1166	95.9 2435	95.87 2435	95.9 2435	81.5 2070	44.6 1132	49.8 1265	68629 31195	95.9 2435	95.87 2435	95.9 2435	81.5 2070	44.6 1132	49.8 1265	(1)	95.87 2435	95.87 2435	95.87 2435	77.56 1970	59.29 1506	48.82 1240	49762 22619	
56 1400	53.54 1360	53.54 1360	106.7 2710	106.69 2710	106.7 2710	94.1 2390	50.8 1290	57.1 1450	104463 47483	106.7 2710	106.69 2710	106.7 2710	94.1 2390	50.8 1290	57.1 1450	(1)	(1)	(1)	(1)	(1)	(1)	(1)	(1)	(1)

* Weight figures are relevant to flanged end valves.
 (1) Please consult the factory.
 Note: For dimensions & weights in larger sizes consult the factory.
 Dimensions C, D, E and weights are subject to change without notice.

DIMENSIONS & WEIGHTS



ASME CLASS 600 REDUCED BORE

ALL TYPES		SIDE-ENTRY								WELDED BODY								TOP-ENTRY					
SIZE in/mm	A	B	L-RF	L-RTJ	L-WE	C	D	E	WEIGHT lb/kg*	L-RF	L-RTJ	L-WE	C	D	E	WEIGHT lb/kg*	L-RF	L-RTJ	L-WE	C	D	E	WEIGHT lb/kg*
2 × 1½ 50 × 40	1.93 49	1.50 38	11.5 292	11.63 295	11.5 292	6.5 165	3.7 95	4.0 102	68 31	11.5 292	11.63 295	11.5 292	6.5 165	3.7 95	4.0 102	(1)	14.5 368	11.63 295	14.5 368	7.0 178	8.3 210	3.3 85	75 34
3 × 2 80 × 50	2.91 74	1.93 49	14.0 356	14.13 359	14.0 356	8.3 210	4.0 102	3.9 98	86 39	14.0 356	14.13 359	14.0 356	8.3 210	4.0 102	3.9 98	(1)	14.0 356	14.13 359	14.0 356	8.3 210	8.5 215	3.7 95	101 46
4 × 3 100 × 80	3.94 100	2.91 74	17.0 432	17.13 436	17.0 432	14.7 373	6.5 165	5.0 128	172 78	17.0 432	17.13 436	17.0 432	14.7 373	6.5 165	5.0 128	(1)	17.0 432	17.13 436	17.0 432	10.7 273	9.1 232	4.9 124	207 94
6 × 4 150 × 100	5.91 150	3.94 100	22.0 559	22.13 562	22.0 559	14.0 356	8.3 210	6.3 160	330 150	22.0 559	22.13 562	22.0 559	14.0 356	8.3 210	6.3 160	(1)	22.0 559	22.13 562	22.0 559	14.0 356	11.6 294	5.9 150	180 82
8 × 6 200 × 150	7.91 201	5.91 150	26.0 660	26.13 664	26.0 660	16.5 419	9.8 250	7.9 200	642 292	26.0 660	26.13 664	26.0 660	16.5 419	9.8 250	7.9 200	(1)	26.0 660	26.13 664	26.0 660	16.5 419	11.3 287	5.1 129	699.6 318
10 × 8 250 × 200	9.92 252	7.91 201	31.0 787	31.13 791	31.0 787	20.1 510	11.3 288	10.0 255	1210 550	31.0 787	31.13 791	31.0 787	20.1 510	11.3 288	10.0 255	(1)	31.0 787	31.13 791	31.0 787	20.1 510	12.8 324	10.8 275	1320 600
12 × 10 300 × 250	11.93 303	9.92 252	33.0 838	33.13 841	33.0 838	22.0 560	13.0 330	12.1 308	1784 811	33.0 838	33.13 841	33.0 838	22.0 560	13.0 330	12.1 308	(1)	33.0 838	33.13 841	33.0 838	22.0 560	14.4 365	12.8 325	1582 719
14 × 10 350 × 250	13.15 334	9.92 252	35.0 889	35.13 892	35.0 889	23.8 605	13.0 330	12.1 308	2006 912	35.0 889	35.13 892	35.0 889	23.8 605	13.0 330	12.1 308	(1)	35.0 889	35.13 892	35.0 889	23.8 605	14.4 365	12.8 325	2180 991
14 × 12 350 × 300	13.15 334	11.93 303	35.0 889	35.13 892	35.0 889	23.8 605	14.9 378	13.7 348	2519 1145	35.0 889	35.13 892	35.0 889	23.8 605	14.9 378	13.7 348	(1)	35.0 889	35.13 892	35.0 889	23.8 605	18.9 480	16.3 415	2620 1191
16 × 12 400 × 300	15.16 385	11.93 303	39.0 991	39.13 994	39.0 991	27.0 685	14.9 378	13.7 348	2966 1348	39.0 991	39.13 994	39.0 991	27.0 685	14.9 378	13.7 348	(1)	39.0 991	39.13 994	39.0 991	27.0 685	18.9 480	16.3 415	3104 1411
16 × 14 400 × 350	15.16 385	13.15 334	35.0 889	35.13 892	35.0 889	24.7 628	15.5 394	14.2 360	2383 1083	35.0 889	35.13 892	35.0 889	24.7 628	15.5 394	14.2 360	(1)	39.0 991	39.13 994	39.0 991	27.0 685	18.3 465	17.4 442	3029 1377
18 × 16 450 × 400	17.17 436	15.16 385	43.0 1092	43.13 1095	43.0 1092	29.3 745	16.9 430	16.1 410	3696 1680	43.0 1092	43.13 1095	43.0 1092	29.3 745	16.9 430	16.1 410	(1)	43.0 1092	43.13 1095	43.0 1092	29.3 745	18.5 470	18.1 461	4083 1856
20 × 16 500 × 400	19.17 487	15.16 385	47.0 1194	47.25 1200	47.0 1194	32.1 815	16.9 430	16.1 410	4587 2085	47.0 1194	47.25 1200	47.0 1194	32.1 815	16.9 430	16.1 410	(1)	47.0 1194	47.25 1200	47.0 1194	32.1 815	18.5 470	18.1 461	6371 2896
20 × 18 500 × 450	19.17 487	17.17 436	47.0 1194	47.25 1200	47.0 1194	32.1 815	18.4 467	16.9 430	5225 2375	47.0 1194	47.25 1200	47.0 1194	32.1 815	18.4 467	16.9 430	(1)	47.0 1194	47.25 1200	47.0 1194	32.1 815	20.2 512	19.0 482	5755 2616
24 × 20 600 × 500	23.19 589	19.17 487	55.0 1397	55.38 1406	55.0 1397	37.0 940	19.7 500	19.4 492	7146 3248	55.0 1397	55.38 1406	55.0 1397	37.0 940	19.7 500	19.4 492	(1)	55.0 1397	55.38 1406	55.0 1397	37.0 940	22.4 570	22.4 570	7740 3518
30 × 24 750 × 600	28.94 735	23.19 589	66.3 1684	65.50 1697	66.3 1684	44.5 1130	23.4 594	22.4 570	12690 5768	66.3 1684	65.50 1697	66.3 1684	44.5 1130	23.4 594	22.4 570	(1)	66.3 1684	65.50 1697	66.3 1684	44.5 1130	24.5 622	24.0 610	13130 5968
36 × 30 900 × 750	34.41 874	28.94 735	82.0 2083	82.63 2098	82.0 2083	51.8 1315	27.9 708	29.6 751	22827 10376	82.0 2083	82.63 2098	82.0 2083	51.8 1315	27.9 708	29.6 751	(1)	82.0 2083	82.63 2098	82.0 2083	51.8 1315	32.2 817	31.7 804	23258 10572

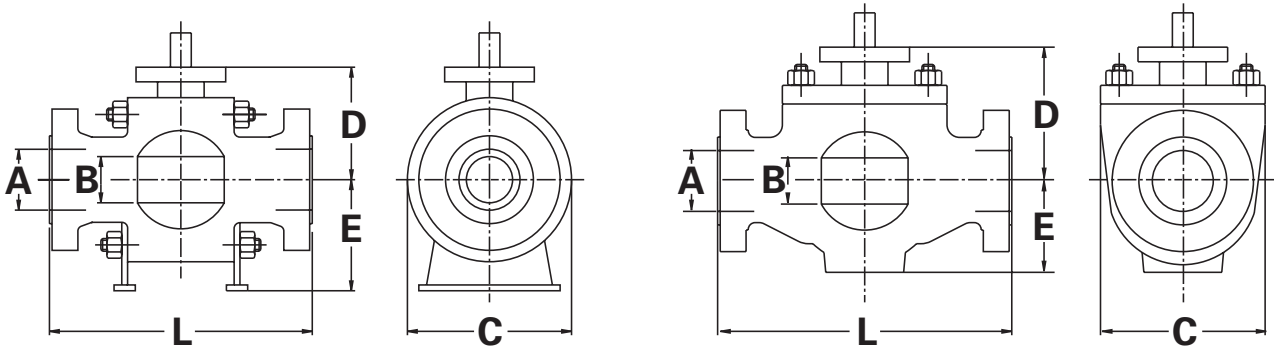
* Weight figures are relevant to flanged end valves.

(1) Please consult the factory.

Note: For dimensions & weights in larger sizes consult the factory.

Dimensions C, D, E and weights are subject to change without notice.

DIMENSIONS & WEIGHTS



ASME CLASS 900 FULL BORE

ALL TYPES			SIDE-ENTRY								WELDED BODY							TOP-ENTRY					
SIZE in/mm	A	B	L-RF	L-RTJ	L-WE	C	D	E	WEIGHT lb/kg*	L-RF	L-RTJ	L-WE	C	D	E	WEIGHT lb/kg*	L-RF	L-RTJ	L-WE	C	D	E	WEIGHT lb/kg*
2 50	1.93 49	1.93 49	14.49 368	14.61 371	14.49 368	8.50 216	4.09 104	4.06 103	106 48	14.49 368	14.61 371	14.49 368	8.50 216	4.09 104	4.06 103	(1)	14.49 368	14.61 371	14.49 368	8.50 216	4.09 104	4.06 103	114 52
3 80	2.91 74	2.91 74	15.00 381	15.12 384	15.00 381	9.49 241	6.42 163	5.20 132	121 55	15.00 381	15.12 384	15.00 381	9.49 241	6.42 163	5.20 132	(1)	15.00 381	15.12 384	15.00 381	9.49 241	6.42 163	5.20 132	242 110
4 100	3.94 100	3.94 100	17.99 457	18.11 460	17.99 457	11.50 292	8.31 211	6.65 169	319 145	17.99 457	18.11 460	17.99 457	11.50 292	8.31 211	6.65 169	(1)	17.99 457	18.11 460	17.99 457	11.50 292	8.31 211	6.65 169	440 200
6 150	5.91 150	5.91 150	24.02 610	24.13 613	24.02 610	15.00 381	10.20 259	8.39 213	792 360	24.02 610	24.13 613	24.02 610	15.00 381	10.20 259	8.39 213	(1)	24.02 610	24.13 613	24.02 610	15.00 381	10.20 259	8.39 213	946 430
8 200	7.91 201	7.91 201	29.02 737	29.13 740	29.02 737	18.50 470	11.69 297	10.39 264	1276 580	29.02 737	29.13 740	29.02 737	18.50 470	11.69 297	10.39 264	(1)	29.02 737	29.13 740	29.02 737	18.50 470	11.69 297	10.39 264	1760 800
10 250	9.92 252	9.92 252	32.99 838	33.11 841	32.99 838	21.46 545	13.46 342	13.11 333	2222 1010	32.99 838	33.11 841	32.99 838	21.46 545	13.46 342	13.11 333	(1)	32.99 838	33.11 841	32.99 838	21.46 545	13.46 342	13.11 333	2200 1000
12 300	11.93 303	11.93 303	37.99 965	38.11 968	37.99 965	24.02 610	15.12 384	14.92 379	3322 1510	37.99 965	38.11 968	37.99 965	24.02 610	15.12 384	14.92 379	(1)	37.99 965	38.11 968	37.99 965	24.02 610	15.12 384	14.92 379	2860 1300
14 350	12.68 322	12.68 322	40.51 1029	40.87 1038	40.51 1029	25.20 640	15.67 398	14.49 368	3190 1450	40.51 1029	40.87 1038	40.51 1029	25.20 640	15.67 398	14.49 368	(1)	40.51 1029	40.87 1038	40.51 1029	25.20 640	15.67 398	14.49 368	3729 1695
16 400	14.69 373	14.69 373	44.49 1130	44.88 1140	44.49 1130	27.95 710	17.17 436	17.20 437	4730 2150	44.49 1130	44.88 1140	44.49 1130	27.95 710	17.17 436	17.20 437	(1)	44.49 1130	44.88 1140	44.49 1130	27.95 710	17.17 436	17.20 437	5632 2560
18 450	16.65 423	16.65 423	47.99 1219	48.50 1232	47.99 1219	31.50 800	19.06 484	19.57 497	6204 2820	47.99 1219	48.50 1232	47.99 1219	31.50 800	19.06 484	19.57 497	(1)	47.99 1219	48.50 1232	47.99 1219	31.50 800	19.06 484	19.57 497	7480 3400
20 500	18.54 471	18.54 471	52.01 1321	52.48 1333	52.01 1321	35.04 890	20.94 532	19.80 503	9240 4200	52.01 1321	52.48 1333	52.01 1321	35.04 890	20.94 532	19.80 503	(1)	52.01 1321	52.48 1333	52.01 1321	35.04 890	20.94 532	19.80 503	9680 4400
24 600	22.44 570	22.44 570	60.98 1549	61.73 1568	60.98 1549	41.69 1059	24.29 617	24.92 633	14960 6800	60.98 1549	61.73 1568	60.98 1549	41.69 1059	24.29 617	24.92 633	(1)	60.98 1549	61.73 1568	60.98 1549	41.69 1059	24.29 617	24.92 633	15840 7200
28 700	26.18 665	26.18 665	69.02 1753	69.88 1775	69.02 1753	48.58 1234	26.54 674	27.80 706	21780 9900	69.02 1753	69.88 1775	69.02 1753	48.58 1234	26.54 674	27.80 706	(1)	69.02 1753	69.88 1775	69.02 1753	48.58 1234	26.54 674	27.80 706	22880 10400
30 750	28.03 712	28.03 712	74.02 1880	74.88 1902	74.02 1880	51.18 1300	28.46 723	30.59 777	26796 12180	74.02 1880	74.88 1902	74.02 1880	51.18 1300	28.46 723	30.59 777	(1)	74.02 1880	74.88 1902	74.02 1880	51.18 1300	28.46 723	30.59 777	28325 12875
32 800	29.92 760	29.92 760	80.00 2032	80.87 2054	80.00 2032	53.43 1357	30.87 784	31.85 809	26004 11820	80.00 2032	80.87 2054	80.00 2032	53.43 1357	30.87 784	31.85 809	(1)	80.00 2032	80.87 2054	80.00 2032	53.43 1357	30.87 784	31.85 809	35090 15950
34 850	31.81 808	31.81 808	85.00 2159	86.14 2188	85.00 2159	57.80 1468	31.77 807	33.54 852	37840 17200	85.00 2159	86.14 2188	85.00 2159	57.80 1468	31.77 807	33.54 852	(1)	85.00 2159	86.14 2188	85.00 2159	57.80 1468	31.77 807	33.54 852	38500 17500
36 900	33.66 855	33.66 855	90.00 2286	91.14 2315	90.00 2286	60.31 1532	33.39 848	35.35 898	41580 18900	90.00 2286	91.14 2315	90.00 2286	60.31 1532	33.39 848	35.35 898	(1)	90.00 2286	91.14 2315	90.00 2286	60.31 1532	33.39 848	35.35 898	45320 20600

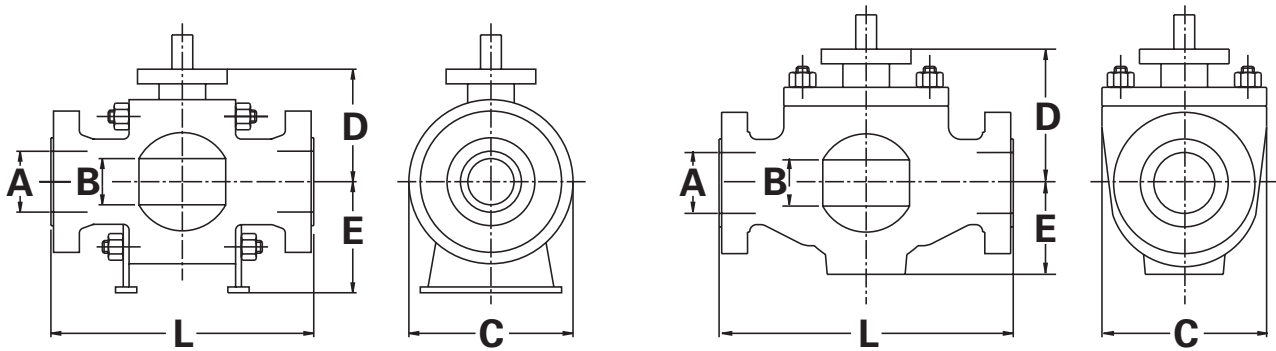
* Weight figures are relevant to flanged end valves.

(1) Please consult the factory.

Note: For dimensions & weights in larger sizes consult the factory.

Dimensions C, D, E and weights are subject to change without notice.

DIMENSIONS & WEIGHTS



ASME CLASS 900 REDUCED BORE

ALL TYPES		SIDE-ENTRY							WELDED BODY							TOP-ENTRY							
SIZE in/mm	A	B	L-RF	L-RTJ	L-WE	C	D	E	WEIGHT lb/kg*	L-RF	L-RTJ	L-WE	C	D	E	WEIGHT lb/kg*	L-RF	L-RTJ	L-WE	C	D	E	WEIGHT lb/kg*
2 × 1½ 50 × 40	1.93 49	1.50 38	14.49 368	14.61 371	14.49 368	8.50 216	4.06 103	4.02 102	90 41	14.49 368	14.61 371	14.49 368	8.50 216	4.06 103	4.02 102	(1)	14.49 368	14.61 371	14.49 368	8.50 216	4.06 103	4.02 102	110 50
3 × 2 80 × 50	2.91 74	1.93 49	15.00 381	15.12 384	15.00 381	9.49 241	4.06 103	4.02 102	114 52	15.00 381	15.12 384	15.00 381	9.49 241	4.06 103	4.02 102	(1)	15.00 381	15.12 384	15.00 381	9.49 241	4.06 103	4.02 102	165 75
4 × 3 100 × 80	3.94 100	2.91 74	17.99 457	18.11 460	17.99 457	11.50 292	6.54 166	5.00 127	209 95	17.99 457	18.11 460	17.99 457	11.50 292	6.54 166	5.00 127	(1)	17.99 457	18.11 460	17.99 457	11.50 292	6.54 166	5.00 127	308 140
6 × 4 150 × 100	5.91 150	3.94 100	24.02 610	24.13 613	24.02 610	15.00 381	8.19 208	6.42 163	451 205	24.02 610	24.13 613	24.02 610	15.00 381	8.19 208	6.42 163	(1)	24.02 610	24.13 613	24.02 610	15.00 381	8.19 208	6.42 163	601 273
8 × 6 200 × 150	7.91 201	5.91 150	29.02 737	29.13 740	29.02 737	18.50 470	10.35 263	8.39 213	968 440	29.02 737	29.13 740	29.02 737	18.50 470	10.35 263	8.39 213	(1)	29.02 737	29.13 740	29.02 737	18.50 470	10.35 263	8.39 213	1206 548
10 × 8 250 × 200	9.92 252	7.91 201	32.99 838	33.11 841	32.99 838	21.46 545	11.57 294	10.59 269	1518 690	32.99 838	33.11 841	32.99 838	21.46 545	11.57 294	10.59 269	(1)	32.99 838	33.11 841	32.99 838	21.46 545	13.35 339	10.67 271	1993 906
12 × 10 300 × 250	11.93 303	9.92 252	37.99 965	38.11 968	37.99 965	24.02 610	13.70 348	12.91 328	2541 1155	37.99 965	38.11 968	37.99 965	24.02 610	13.70 348	12.91 328	(1)	37.99 965	38.11 968	37.99 965	24.02 610	14.96 380	12.76 324	2398 1090
14 × 10 350 × 250	12.68 322	9.92 252	40.51 1029	40.87 1038	40.51 1029	25.20 640	13.70 348	12.91 328	2728 1240	40.51 1029	40.87 1038	40.51 1029	25.20 640	13.70 348	12.91 328	(1)	40.51 1029	40.87 1038	40.51 1029	25.20 640	14.96 380	12.76 324	3289 1495
14 × 12 350 × 300	12.68 322	11.93 303	40.51 1029	40.87 1038	40.51 1029	25.20 640	15.75 400	15.04 382	3597 1635	40.51 1029	40.87 1038	40.51 1029	25.20 640	15.75 400	15.04 382	(1)	40.51 1029	40.87 1038	40.51 1029	25.20 640	20.28 515	16.14 410	3960 1800
16 × 12 400 × 300	14.69 373	11.93 303	44.49 1130	44.88 1140	44.49 1130	27.76 705	15.75 400	15.04 382	3806 1730	44.49 1130	44.88 1140	44.49 1130	27.76 705	15.75 400	15.04 382	(1)	44.49 1130	44.88 1140	44.49 1130	27.76 705	20.28 515	16.14 410	4620 2100
16 × 14 400 × 350	14.69 373	12.68 322	44.49 1130	44.88 1140	44.49 1130	27.56 700	15.83 402	17.32 440	3740 1700	44.49 1130	44.88 1140	44.49 1130	27.76 705	15.83 402	17.32 440	(1)	44.49 1130	44.88 1140	44.49 1130	27.76 705	20.47 520	17.52 445	4400 2000
18 × 16 450 × 400	16.65 423	14.69 373	47.99 1219	48.50 1232	47.99 1219	31.10 790	17.28 439	17.40 442	5368 2440	47.99 1219	48.50 1232	47.99 1219	30.91 785	17.28 439	17.40 442	(1)	47.99 1219	48.50 1232	47.99 1219	30.91 785	21.10 536	18.23 463	6241 2837
20 × 16 500 × 400	18.54 471	14.69 373	52.01 1321	52.48 1333	52.01 1321	31.10 790	17.28 439	17.40 442	6325 2875	52.01 1321	52.48 1333	52.01 1321	33.66 855	17.28 439	17.40 442	(1)	52.01 1321	52.48 1333	52.01 1321	33.66 855	21.10 536	18.23 463	7733 3515
20 × 18 500 × 450	18.54 471	16.65 423	52.01 1321	52.48 1333	52.01 1321	33.66 855	18.90 485	19.09 485	7150 3250	52.01 1321	52.48 1333	52.01 1321	33.66 855	18.90 485	19.09 485	(1)	52.01 1321	52.48 1333	52.01 1321	33.66 855	22.83 580	19.09 485	8525 3875
24 × 20 600 × 500	22.44 570	18.54 471	60.98 1549	61.73 1568	60.98 1549	40.94 1040	21.02 534	19.69 500	11880 5400	60.98 1549	61.73 1568	60.98 1549	40.94 1040	21.02 534	19.69 500	(1)	60.98 1549	61.73 1568	60.98 1549	40.94 1040	24.76 629	23.78 604	11869 5395
30 × 24 750 × 600	28.03 712	22.44 570	74.02 1880	74.88 1902	74.02 1880	48.43 1230	23.94 608	24.88 632	19140 8700	74.02 1880	74.88 1902	74.02 1880	48.43 1230	23.94 608	24.88 632	(1)	74.02 1880	74.88 1902	74.02 1880	48.43 1230	25.20 640	26.18 665	19800 9000
36 × 30 900 × 750	33.66 855	28.03 712	90.00 2286	91.14 2315	90.00 2286	57.48 1460	28.70 729	30.87 784	33770 15350	90.00 2286	91.14 2315	90.00 2286	57.48 1460	28.70 729	30.87 784	(1)	90.00 2286	91.14 2315	90.00 2286	57.48 1460	30.59 777	31.30 795	33517 15235

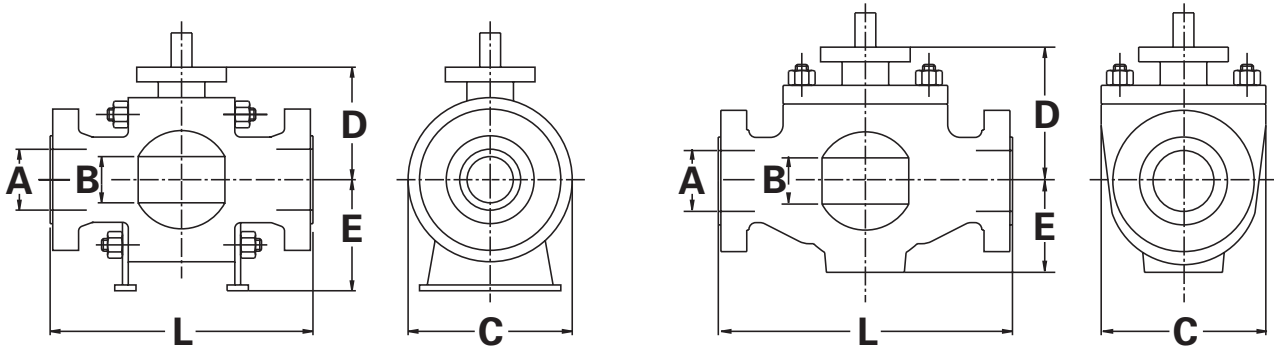
* Weight figures are relevant to flanged end valves.

(1) Please consult the factory.

Note: For dimensions & weights in larger sizes consult the factory.

Dimensions C, D, E and weights are subject to change without notice.

DIMENSIONS & WEIGHTS



ASME CLASS 1500 FULL BORE

ALL TYPES			SIDE-ENTRY							WELDED BODY							TOP-ENTRY						
SIZE in/mm	A	B	L-RF	L-RTJ	L-WE	C	D	E	WEIGHT lb/kg*	L-RF	L-RTJ	L-WE	C	D	E	WEIGHT lb/kg*	L-RF	L-RTJ	L-WE	C	D	E	WEIGHT lb/kg*
2 50	1.93 49	1.93 49	14.49 368	14.61 371	14.49 368	8.50 216	4.17 106	4.09 104	110 50	14.49 368	14.61 371	14.49 368	8.50 216	4.17 106	4.09 104	(1)	14.49 368	14.61 371	14.49 368	8.50 216	8.35 212	3.43 87	123 56
3 80	2.91 74	2.91 74	18.50 470	18.62 473	18.50 470	10.51 267	6.57 167	5.04 128	213 97	18.50 470	18.62 473	18.50 470	10.51 267	6.57 167	5.04 128	(1)	18.50 470	18.62 473	18.50 470	10.51 267	9.29 236	4.65 118	337 153
4 100	3.94 100	3.94 100	21.50 546	21.61 549	21.50 546	12.24 311	1.10 28	6.69 170	436 198	21.50 546	21.61 549	21.50 546	12.24 311	1.10 28	6.69 170	(1)	21.50 546	21.61 549	21.50 546	12.24 311	11.57 294	5.91 150	612 278
6 150	5.67 144	5.67 144	27.76 705	27.99 711	27.76 705	15.51 394	10.24 260	9.17 233	1056 480	27.76 705	27.99 711	27.76 705	15.51 394	10.24 260	9.17 233	(1)	27.76 705	27.99 711	27.76 705	15.51 394	11.93 303	9.29 236	1320 600
8 200	7.56 192	7.56 192	32.76 832	33.11 841	32.76 832	19.02 483	11.97 304	11.42 290	1804 820	32.76 832	33.11 841	32.76 832	19.02 483	11.97 304	11.42 290	(1)	32.76 832	33.11 841	32.76 832	19.02 483	13.94 354	11.22 285	2420 1100
10 250	9.41 239	9.41 239	39.02 991	39.37 1000	39.02 991	23.03 585	14.29 363	13.86 352	3300 1500	39.02 991	39.37 1000	39.02 991	23.03 585	14.29 363	13.86 352	(1)	39.02 991	39.37 1000	39.02 991	23.03 585	15.67 398	13.11 333	3164 1438
12 300	11.30 287	11.30 287	44.49 1130	44.61 1133	44.49 1130	27.91 709	16.42 417	16.73 425	4950 2250	44.49 1130	44.61 1133	44.49 1130	27.91 709	16.42 417	16.73 425	(1)	44.49 1130	44.61 1133	44.49 1130	27.91 709	20.47 520	16.81 427	4437 2017
14 350	12.40 315	12.40 315	49.49 1257	50.24 1276	49.49 1257	30.12 765	17.20 437	16.77 426	6270 2850	49.49 1257	50.24 1276	49.49 1257	30.12 765	17.20 437	16.77 426	(1)	49.49 1257	50.24 1276	49.49 1257	30.12 765	21.65 550	17.95 456	5746 2612
16 400	14.17 360	14.17 360	54.49 1384	55.35 1406	54.49 1384	33.39 848	18.70 475	19.41 493	8954 4070	54.49 1384	55.35 1406	54.49 1384	33.39 848	18.70 475	19.41 493	(1)	54.49 1384	55.35 1406	54.49 1384	33.39 848	22.24 565	19.17 487	8558 3890
18 450	15.94 405	15.94 405	60.51 1537	61.38 1559	60.51 1537	38.58 980	22.17 563	23.94 608	13629 6195	N/A	N/A	N/A	N/A	N/A	N/A	N/A	60.51 1537	61.38 1559	60.51 1537	38.58 980	23.31 592	20.75 527	11220 5100
20 500	17.91 455	17.91 455	65.51 1664	66.38 1686	65.51 1664	39.96 1015	24.29 617	25.39 645	19965 9075	N/A	N/A	N/A	N/A	N/A	N/A	N/A	65.51 1664	66.38 1686	65.51 1664	39.96 1015	25.59 650	24.80 630	14692 6678
24 600	20.87 530	20.87 530	80.43 2043	81.54 2071	80.43 2043	50.91 1293	27.48 698	28.50 724	31416 14280	N/A	N/A	N/A	N/A	N/A	N/A	N/A	80.43 2043	81.54 2071	80.43 2043	50.91 1293	25.98 660	25.20 640	25740 11700

ASME CLASS 2500 FULL BORE

ALL TYPES			SIDE-ENTRY							TOP-ENTRY						
SIZE in/mm	A	B	L-RF	L-RTJ	L-WE	C	D	E	WEIGHT lb/kg*	L-RF	L-RTJ	L-WE	C	D	E	WEIGHT lb/kg*
2 50	1.65 42	1.65 42	17.76 451	17.87 454	17.76 451	9.25 235	4.72 120	5.00 127	194 88	17.76 451	17.87 454	17.76 451	9.25 235	8.35 212	3.86 98	264 120
3 80	2.44 62	2.44 62	22.76 578	22.99 584	22.76 578	12.01 305	6.97 177	7.80 198	411 187	22.76 578	22.99 584	22.76 578	12.56 319	9.57 243	4.80 122	541 246
4 100	3.43 87	3.43 87	26.50 673	26.89 683	26.50 673	14.02 356	8.94 227	9.17 233	836 380	26.50 673	26.89 683	26.50 673	14.33 364	11.77 299	6.46 164	1034 470
6 150	5.16 131	5.16 131	35.98 914	36.50 927	35.98 914	19.02 483	10.39 264	9.92 252	1694 770	35.98 914	36.50 927	35.98 914	19.02 483	13.98 355	9.57 243	2061 937
8 200	7.05 179	7.05 179	40.24 1022	40.87 1038	40.24 1022	24.41 620	15.08 383	13.35 339	2985 1357	40.24 1022	40.87 1038	40.24 1022	21.65 550	16.69 424	11.50 292	3102 1410
10 250	8.78 223	8.78 223	50.00 1270	50.87 1292	50.00 1270	29.33 745	17.83 453	16.61 422	4620 2100	50.00 1270	50.87 1292	50.00 1270	26.57 675	19.80 503	13.86 352	5720 2600
12 300	10.43 265	10.43 265	55.98 1422	56.89 1445	55.98 1422	34.25 870	20.47 520	18.98 482	7062 3210	55.98 1422	56.89 1445	55.98 1422	30.12 765	23.15 588	17.17 436	9240 4200

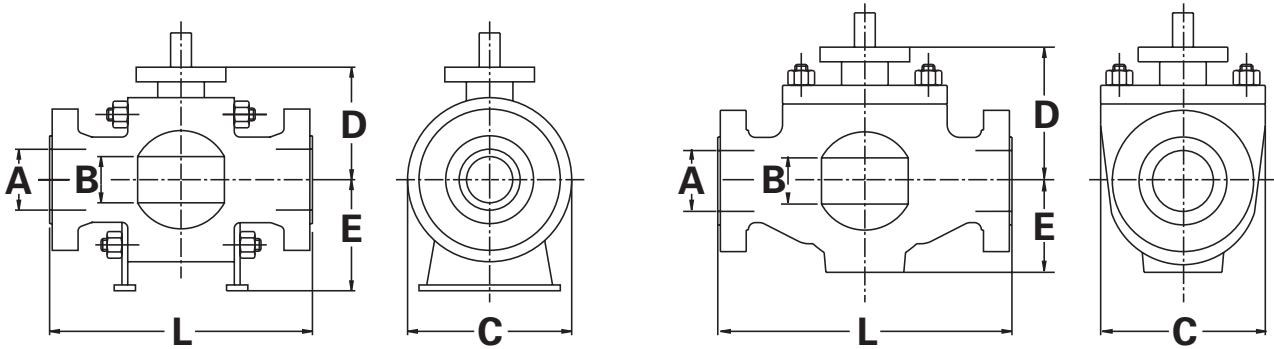
* Weight figures are relevant to flanged end valves.

(1) Please consult the factory.

Note: For dimensions & weights in larger sizes consult the factory.

Dimensions C, D, E and weights are subject to change without notice.

DIMENSIONS & WEIGHTS



ASME CLASS 1500 REDUCED BORE

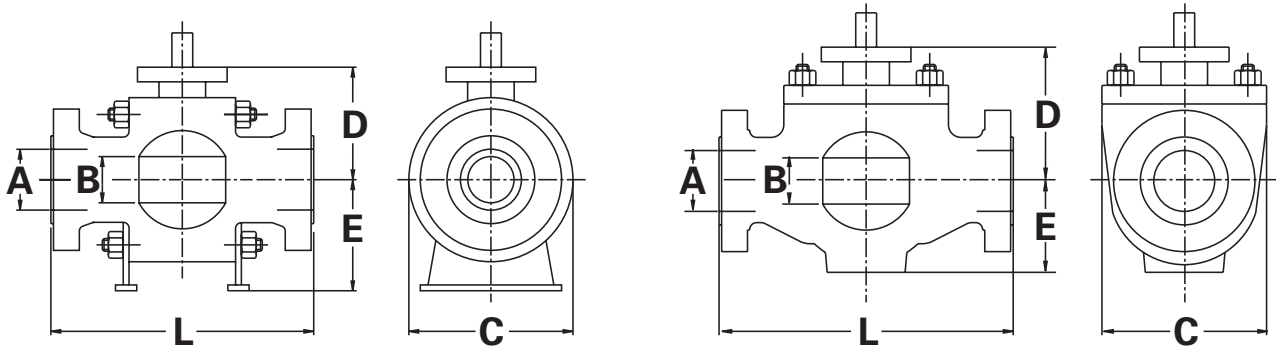
ALL TYPES			SIDE-ENTRY							WELDED BODY							TOP-ENTRY						
SIZE in/mm	A	B	L-RF	L-RTJ	L-WE	C	D	E	WEIGHT lb/kg*	L-RF	L-RTJ	L-WE	C	D	E	WEIGHT lb/kg*	L-RF	L-RTJ	L-WE	C	D	E	WEIGHT lb/kg*
2 × 1½ 50 × 40	1.93 49	1.50 38	14.49 368	14.61 371	14.49 368	8.50 216	4.09 104	4.06 103	90 41	14.49 368	14.61 371	14.49 368	8.50 216	4.09 104	4.06 103	(1)	14.49 368	14.61 371	14.49 368	8.50 216	8.31 211	3.15 80	110 50
3 × 2 80 × 50	2.91 74	1.93 49	18.50 470	18.62 473	18.50 470	10.51 267	4.09 104	4.06 103	150 68	18.50 470	18.62 473	18.50 470	10.51 267	4.09 104	4.06 103	(1)	18.50 470	18.62 473	18.50 470	10.51 267	8.31 211	3.15 80	216 98
4 × 3 100 × 80	3.94 100	2.91 74	21.50 546	21.61 549	21.50 546	12.24 311	6.54 166	5.04 128	268 122	21.50 546	21.61 549	21.50 546	12.24 311	6.54 166	5.04 128	(1)	21.50 546	21.61 549	21.50 546	12.24 311	9.29 236	4.65 118	447 203
6 × 4 150 × 100	5.67 144	3.94 100	27.76 705	27.99 711	27.76 705	15.51 394	8.39 213	6.61 168	285 129	27.76 705	27.99 711	27.76 705	15.51 394	8.39 213	6.61 168	(1)	27.76 705	27.99 711	27.76 705	15.51 394	11.30 287	6.02 153	827 376
8 × 6 200 × 150	7.56 192	5.67 144	32.76 832	33.11 841	32.76 832	19.02 483	10.43 265	9.02 229	1245 566	32.76 832	33.11 841	32.76 832	19.02 483	10.43 265	9.02 229	(1)	32.76 832	33.11 841	32.76 832	19.02 483	11.93 303	9.29 236	1547 703
10 × 8 250 × 200	9.41 239	7.56 192	39.02 991	39.37 1000	39.02 991	23.03 585	11.69 297	11.30 287	2248 1022	39.02 991	39.37 1000	39.02 991	23.03 585	11.69 297	11.30 287	(1)	39.02 991	39.37 1000	39.02 991	23.03 585	13.74 349	11.22 285	2801 1273
12 × 10 300 × 250	11.30 287	9.41 239	44.49 1130	45.12 1146	44.49 1130	26.57 675	14.17 360	13.66 347	3872 1760	44.49 1130	45.12 1146	44.49 1130	26.57 675	14.17 360	13.66 347	(1)	44.49 1130	45.12 1146	44.49 1130	26.57 675	15.91 404	12.99 330	337 1535
14 × 10 350 × 250	12.40 315	9.41 239	49.49 1257	50.24 1276	49.49 1257	29.53 750	14.17 360	13.66 347	4719 2145	49.49 1257	50.24 1276	49.49 1257	29.53 750	14.17 360	13.66 347	(1)	49.49 1257	50.24 1276	49.49 1257	29.53 750	15.91 404	12.99 330	4620 2100
14 × 12 350 × 300	12.40 315	11.30 287	49.49 1257	50.24 1276	49.49 1257	29.53 750	16.69 424	16.61 422	5500 2500	49.49 1257	50.24 1276	49.49 1257	29.53 750	16.69 424	16.61 422	(1)	49.49 1257	50.24 1276	49.49 1257	29.53 750	20.87 530	16.81 427	5936 2698
16 × 12 400 × 300	14.17 360	11.30 287	54.49 1384	55.35 1406	54.49 1384	32.48 825	16.69 424	16.61 422	6160 2800	54.49 1384	55.35 1406	54.49 1384	32.48 825	16.69 424	16.61 422	(1)	54.49 1384	55.35 1406	54.49 1384	32.48 825	20.87 530	16.81 427	7040 3200
16 × 14 400 × 350	14.17 360	12.40 315	54.49 1384	55.35 1406	54.49 1384	32.48 825	17.44 443	16.85 428	7139 3245	54.49 1384	55.35 1406	54.49 1384	32.48 825	17.44 443	16.85 428	(1)	54.49 1384	55.35 1406	54.49 1384	32.48 825	21.26 540	17.91 455	6820 3100
18 × 16 450 × 400	15.94 405	14.17 360	60.51 1537	61.38 1559	60.51 1537	36.06 916	19.06 484	19.76 502	10934 4970	N/A	N/A	N/A	N/A	N/A	N/A	N/A	60.51 1537	61.38 1559	60.51 1537	36.06 916	21.93 557	19.41 493	9240 4200
20 × 16 500 × 400	17.91 455	14.17 360	65.51 1664	66.38 1686	65.51 1664	38.78 985	19.06 484	19.76 502	11297 5135	N/A	N/A	N/A	N/A	N/A	N/A	N/A	65.51 1664	66.38 1686	65.51 1664	38.78 985	21.93 557	19.41 493	9900 4500
20 × 18 500 × 450	17.91 455	15.94 405	65.51 1664	66.38 1686	65.51 1664	38.78 985	21.85 555	23.74 603	16500 7500	N/A	N/A	N/A	N/A	N/A	N/A	N/A	65.51 1664	66.38 1686	65.51 1664	38.78 985	23.35 593	20.75 527	12980 5900
24 × 20 600 × 500	20.87 530	17.91 455	80.43 2043	81.54 2071	80.43 2043	46.06 1170	24.57 624	25.31 643	23925 10875	N/A	N/A	N/A	N/A	N/A	N/A	N/A	80.43 2043	81.54 2071	80.43 2043	46.06 1170	25.87 657	24.41 620	20240 9200

ASME CLASS 2500 REDUCED BORE

ALL TYPES			SIDE-ENTRY							TOP-ENTRY						
SIZE in/mm	A	B	L-RF	L-RTJ	L-WE	C	D	E	WEIGHT lb/kg*	L-RF	L-RTJ	L-WE	C	D	E	WEIGHT lb/kg*
2 × 1½ 50 × 40	1.65 42	1.50 38	17.76 451	17.87 454	17.76 451	9.25 235	4.72 120	5.00 127	143 65	17.76 451	17.87 454	17.76 451	9.45 240	8.35 212	3.86 98	176 80
3 × 2 80 × 50	2.44 62	1.65 42	22.76 578	22.99 584	22.76 578	12.01 305	4.72 120	5.00 127	341 155	22.76 578	22.99 584	22.76 578	12.01 305	8.35 212	3.86 98	352 160
4 × 3 100 × 80	3.43 87	2.44 62	26.50 673	26.89 683	26.50 673	14.02 356	6.97 177	7.80 198	581 264	26.50 673	26.89 683	26.50 673	14.02 356	9.57 243	4.80 122	660 300
6 × 4 150 × 100	5.16 131	3.43 87	35.98 914	36.50 927	35.98 914	19.02 483	8.94 227	9.17 233	1122 510	35.98 914	36.50 927	35.98 914	19.02 483	11.77 299	6.46 164	1474 670
8 × 6 200 × 150	7.05 179	5.16 131	40.24 1022	40.87 1038	40.24 1022	21.65 550	10.39 264	9.92 252	2398 1090	40.24 1022	40.87 1038	40.24 1022	21.65 550	13.98 355	9.57 243	2530 1150
10 × 8 250 × 200	8.78 223	7.05 179	50.00 1270	50.87 1292	50.00 1270	26.57 675	15.08 383	13.35 339	3659 1663	50.00 1270	50.87 1292	50.00 1270	26.57 675	16.69 424	11.50 292	4620 2100
12 × 10 300 × 250	10.43 265	8.78 223	55.98 1422	56.89 1445	55.98 1422	29.92 760	20.47 520	18.98 482	5621 2555	55.98 1422	56.89 1445	55.98 1422	29.92 760	19.80 503	13.86 352	7260 3300

* Weight figures are relevant to flanged end valves.
 (1) Please consult the factory.
 Note: For dimensions & weights in larger sizes consult the factory.
 Dimensions C, D, E and weights are subject to change without notice.

DIMENSIONS & WEIGHTS



CLASS API 3000 FULL BORE

ALL TYPES			SIDE-ENTRY					TOP-ENTRY				
SIZE in/mm	A	B	L-RTJ	C	D	E	WEIGHT lb/kg*	L-RTJ	C	D	E	WEIGHT lb/kg*
2 1/16 50	2.06 52.4	2.06 52.4	14.61 371	8.50 216	6.50 165	4.33 110	(1)	14.61 371	8.50 216	6.50 165	4.33 110	(1)
3/8 80	3.12 79.3	3.12 79.3	17.13 435	9.49 241	7.87 200	5.51 140	(1)	17.13 435	9.49 241	7.87 200	5.51 140	(1)
4 1/16 100	4.06 103.2	4.06 103.2	20.12 511	11.61 295	8.27 210	6.69 170	(1)	20.12 511	11.61 295	8.27 210	6.69 170	(1)
5/8 150	5.12 130	5.12 130	24.13 613	16.65 423	10.83 275	10.16 258	(1)	24.13 613	16.65 423	10.83 275	10.16 258	(1)
7 1/16 200	7.06 179.4	7.06 179.4	28.11 714	15.00 381	13.78 350	13.39 340	(1)	28.11 714	15.00 381	13.78 350	13.39 340	(1)

CLASS API 5000 FULL BORE

ALL TYPES			SIDE-ENTRY					TOP-ENTRY				
SIZE in/mm	A	B	L-RTJ	C	D	E	WEIGHT lb/kg*	L-RTJ	C	D	E	WEIGHT lb/kg*
2 1/16 50	2.06 52.4	2.06 52.4	14.61 371	8.50 216	6.50 165	4.33 110	(1)	14.61 371	8.50 216	6.50 165	4.33 110	(1)
3/8 80	3.12 79.3	3.12 79.3	18.62 473	10.51 267	7.87 200	5.51 140	(1)	18.62 473	10.51 267	7.87 200	5.51 140	(1)
4 1/16 100	4.06 103.2	4.06 103.2	21.61 549	12.24 311	8.27 210	6.69 170	(1)	21.61 549	12.24 311	8.27 210	6.69 170	(1)
5/8 150	5.12 130	5.12 130	28.62 727	16.65 423	11.02 280	10.16 258	(1)	28.62 727	16.65 423	11.02 280	10.16 258	(1)
7 1/16 200	7.06 179.4	7.06 179.4	32.01 813	21.26 540	13.58 345	13.39 340	(1)	32.01 813	21.26 540	13.58 345	13.39 340	(1)

CLASS API 10000 FULL BORE

ALL TYPES			SIDE-ENTRY					TOP-ENTRY				
SIZE in/mm	A	B	L-RTJ	C	D	E	WEIGHT lb/kg*	L-RTJ	C	D	E	WEIGHT lb/kg*
2 1/16 50	2.06 52.4	2.06 52.4	20.51 521	11.02 280	7.68 195	8.43 214	(1)	20.51 521	11.02 280	7.68 195	8.43 214	(1)
3/8 80	3.07 78	3.07 78	24.37 619	13.98 355	9.06 230	10.00 254	(1)	24.37 619	13.98 355	9.06 230	10.00 254	(1)
4 1/16 100	4.06 103.2	4.06 103.2	26.38 670	17.95 456	12.05 306	11.02 280	(1)	26.38 670	17.95 456	12.05 306	11.02 280	(1)

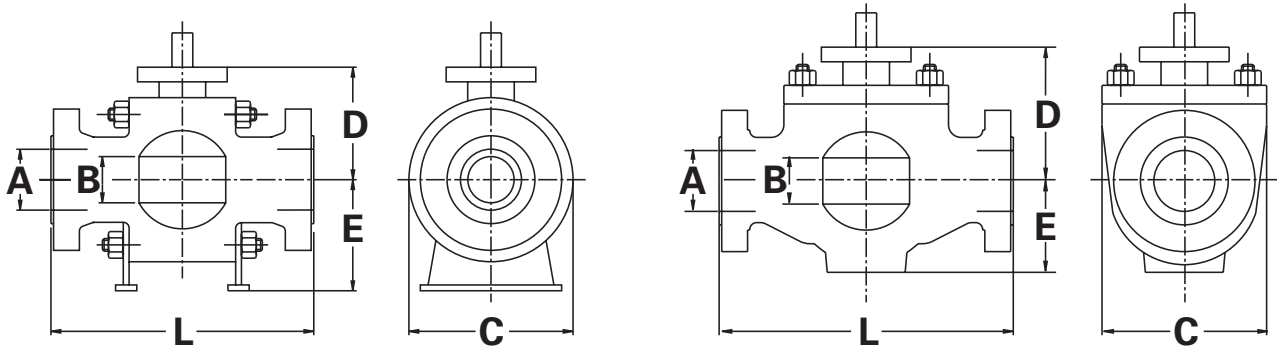
* Weight figures are relevant to flanged end valves.

(1) Please consult the factory.

Note: Consult the factory for additional dimensions & weights.

Dimensions C, D, E and weights are subject to change without notice.

DIMENSIONS & WEIGHTS



CLASS API 3000 REDUCED BORE

ALL TYPES			SIDE-ENTRY					TOP-ENTRY				
SIZE in/mm	A	B	L-RTJ	C	D	E	WEIGHT lb/kg*	L-RTJ	C	D	E	WEIGHT lb/kg*
2 1/16 × 1 13/16 50 × 40	2.06 52.4	1.81 46	14.61 371	8.50 216	6.50 165	4.33 110	(1)	14.61 371	8.50 216	6.50 165	4.33 110	(1)
3 1/8 × 2 1/16 80 × 50	3.12 79.3	2.06 52.4	17.13 435	9.49 241	6.50 165	4.33 110	(1)	17.13 435	9.49 241	7.87 200	5.51 140	(1)
4 1/16 × 3 3/8 100 × 80	4.06 103.2	3.12 79.3	20.12 511	11.61 295	7.87 200	5.51 140	(1)	20.12 511	11.61 295	8.27 210	6.69 170	(1)
5 1/8 × 4 1/16 125 × 100	5.12 130	4.06 103.2	24.13 613	13.78 350	8.27 210	6.69 170	(1)	24.13 613	16.65 423	10.83 275	10.16 258	(1)
7 1/16 × 6 200 × 150	7.06 179.4	6.00 152.4	28.11 714	15.00 381	13.78 350	13.39 340	(1)	28.11 714	15.00 381	13.78 350	13.39 340	(1)

CLASS API 5000 REDUCED BORE

ALL TYPES			SIDE-ENTRY					TOP-ENTRY				
SIZE in/mm	A	B	L-RTJ	C	D	E	WEIGHT lb/kg*	L-RTJ	C	D	E	WEIGHT lb/kg*
2 1/16 50	2.06 52.4	2.06 52.4	14.61 371	8.50 216	6.50 165	4.33 110	(1)	14.61 371	8.50 216	6.50 165	4.33 110	(1)
3 1/8 80	3.12 79.3	3.12 79.3	18.62 473	10.51 267	7.87 200	5.51 140	(1)	18.62 473	10.51 267	7.87 200	5.51 140	(1)
4 1/16 100	4.06 103.2	4.06 103.2	21.61 549	12.24 311	8.27 210	6.69 170	(1)	21.61 549	12.24 311	8.27 210	6.69 170	(1)
5 1/8 150	5.12 130	5.12 130	28.62 727	16.65 423	11.02 280	10.16 258	(1)	28.62 727	16.65 423	11.02 280	10.16 258	(1)
7 1/16 200	7.06 179.4	7.06 179.4	32.01 813	21.26 540	13.58 345	13.39 340	(1)	32.01 813	21.26 540	13.58 345	13.39 340	(1)

CLASS API 10000 REDUCED BORE

ALL TYPES			SIDE-ENTRY					TOP-ENTRY				
SIZE in/mm	A	B	L-RTJ	C	D	E	WEIGHT lb/kg*	L-RTJ	C	D	E	WEIGHT lb/kg*
2 1/16 50	2.06 52.4	2.06 52.4	20.51 521	11.02 280	7.68 195	8.43 214	(1)	20.51 521	11.02 280	7.68 195	8.43 214	(1)
3 1/8 80	3.07 78	3.07 78	24.37 619	13.98 355	9.06 230	10.00 254	(1)	24.37 619	13.98 355	9.06 230	10.00 254	(1)
4 1/16 100	4.06 103.2	4.06 103.2	26.38 670	17.95 456	12.05 306	11.02 280	(1)	26.38 670	17.95 456	12.05 306	11.02 280	(1)

* Weight figures are relevant to flanged end valves.

(1) Please consult the factory.

Note: Consult the factory for additional dimensions & weights.

Dimensions C, D, E and weights are subject to change without notice.