

Ordering Information and Technical Data

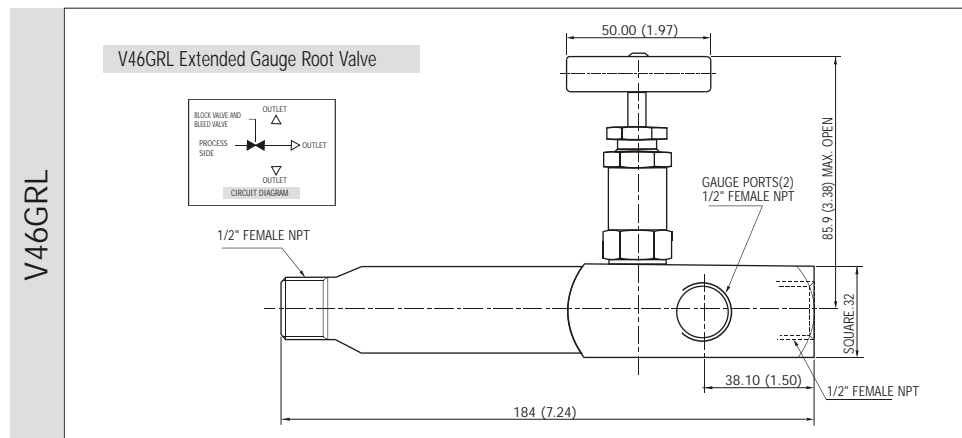
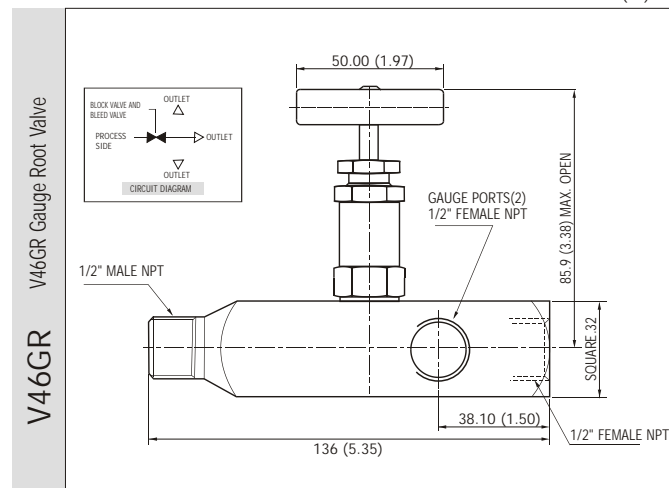
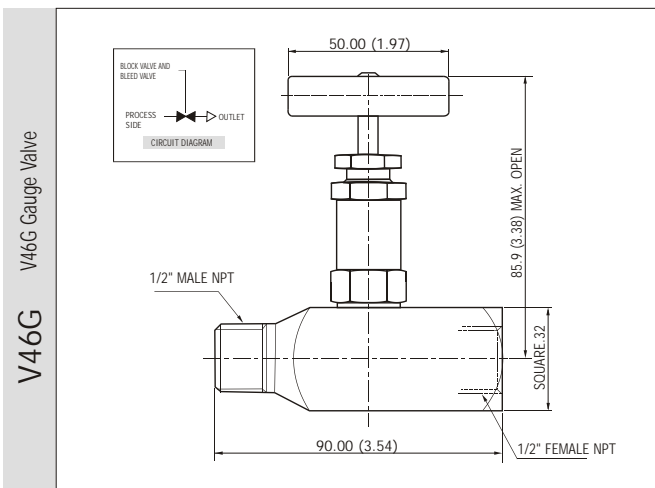
Valve Ordering Number	End Connection Male to Female NPT	Orifice mm (in.)	Seat	Stem Packing	Pressure Rating	Pressure Rating @ Max. Temp.	Body Length mm (in.)	*
V46G-8N	1/2" to 1/2"	5.0 (0.20)	S316	PTFE	6000 psig -65F ~ 100F	4130 psig @ 450F	90.0 (3.54)	1
V46GR-8N	1/2" to 1/2"	5.0 (0.20)	S316	PTFE			136.0 (5.35)	3
V46GR-12N8N	3/4" to 1/2"	5.0 (0.20)	S316	PTFE	(413 bar -54C ~ 38C)	(284 bar @232C)	136.0 (5.35)	3
V46GRL-8N	1/2" to 1/2"	5.0 (0.20)	S316	PTFE			184.0 (7.24)	3
V46GRL-12N8N	3/4" to 1/2"	5.0 (0.20)	S316	PTFE			184.0 (7.24)	3

* The number of female NPT Gauge Port

• V46GRL has a extended body for pipe insulation.

• Optional Grafoil packing for high temperature is available. The rating is 1715 psig @ 973F (118 bar @ 523C).

To order, use -GF as a suffix to the ordering number. Example: V46G-8N-GF



Factory Test

- Every Manifold & Gauge Root Valve is tested with the nitrogen @ 1000 psig (68 bar) for leakage at the seat to a maximum allowable leak rate of 0.1 scc/min.

Safe Valve Selection

The selection of a valve for any application or system design must be considered to ensure safe performance.

Valve function, valve rating, material compatibility, proper installation, operation and maintenance remain the sole responsibility of the system designer and the user. Dk Tech accepts no liability for any improper selection, installation, operation or maintenance.

*Grafoil: TM of Union Carbide

Factory & Headquarters

Dk Tech Corporation
568-17, Kwebup-Dong,
Sasang-Gu, Busan, Korea 617-060
Phone : (82) 51-316-0114
Fax : (82) 51-316-3744/5/8
www.dklok.com
Email : dknpc@dknp.com

USA OPERATION

Dk-Lok USA
311 ARI Court, Mobile,
Alabama 36607 USA
Toll Free : 1 (800) 328-5803
Fax : 1 (800) 287-8186
www.dklokusa.com

