



Valve Monitoring Systems

Remote Mounted Position Indicator

for Rotary Actuators • Resin Body

Features

- Resin body for corrosion resistance.
- Division 2 rated with Viper™ hermetically sealed switches.
- Circular design eliminates pinch points on o-ring seal.
- Balanced bolt pattern for uniform sealing.
- Realview™ indicator with 100% change in color visible from long distances.

Construction

	VR4	VR8
Area Classifications	Type 4, 4x	Type 4, 4x Div. 2 - Class I, II Groups A,B,C,D, F & G
Switch Type	Mechanical	Viper™
Body	Resilient PBT	
Indicator Cover	Polycarbonate	
Shaft	316 Stainless Steel	
Bushings	Nylon	
Hardware	Stainless Steel	

Ambient Temperatures

- 20°F to 170°F (T6)
- 20°F to 180°F (T5)
- 4°F to 140°F with bus card, potentiometer or transmitter

Electrical

Mechanical Switches - 15amp silver contacts SPDT, 10A DPDT

Viper™ Switches - Tungsten: 3A/120VAC, 2A/24VDC

Rhodium: 1A/24VDC

Rhodium (IS): 2mA to 1A@24VDC

(suitable for IS applications)

“IS”- Class I,II,III, Div.1

Groups A,B,C,D,E,F and G

12 point terminal strip standard

Viper, Realview - ASCO Valve, Inc. Trademarks



Optional Features

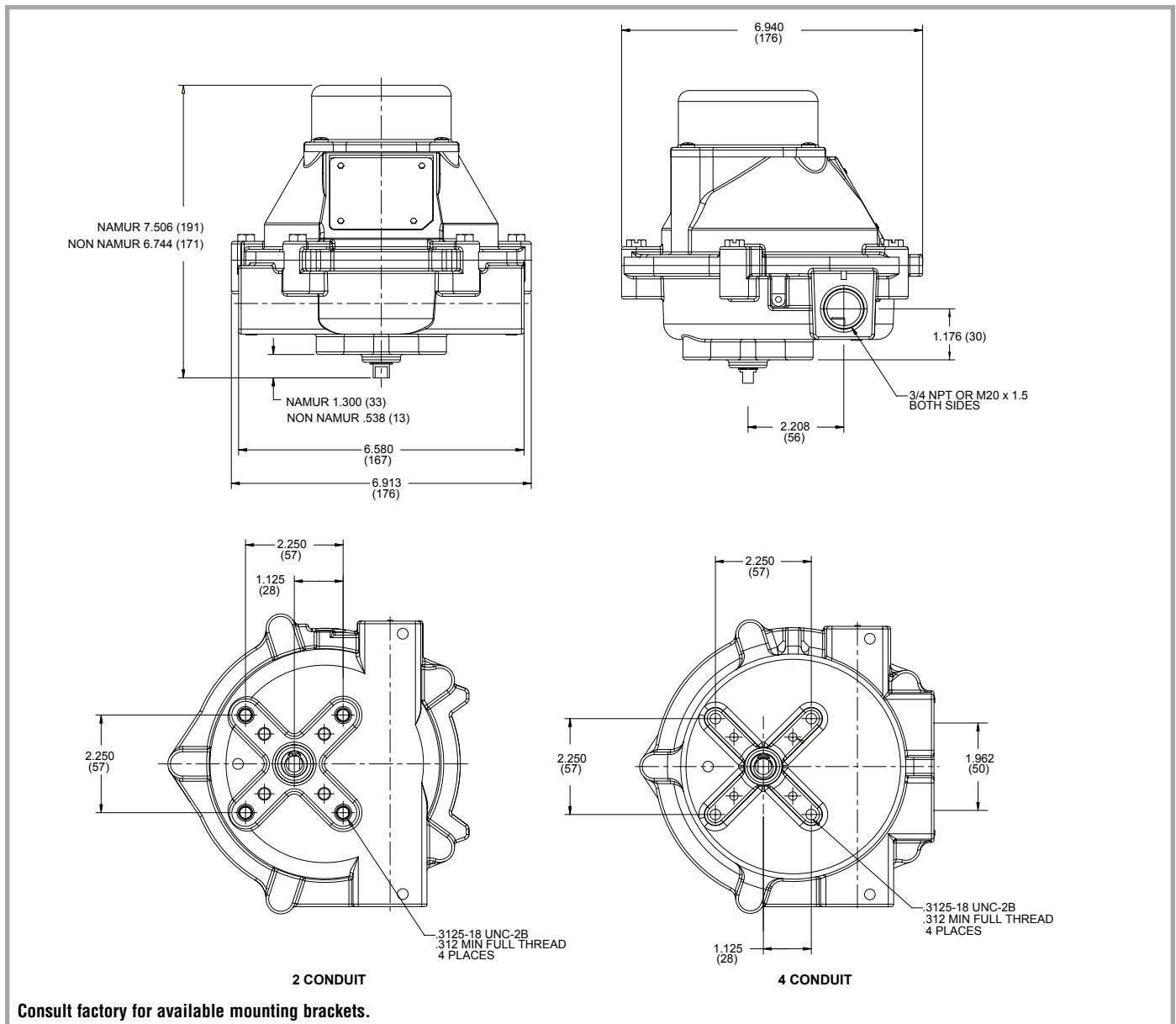
- Low power pilot valve mounted to enclosure
- **ASi**™, **DeviceNet**™ communication cards
- 2 (standard) or 4 conduit entries in 3/4” or 20mm
- Plug, cable gland, and network connectors
- Potentiometer and transmitter options
- Alternate indicator color and path options

Specifications

SERIES	SHAFT	CONDUIT	INDICATOR	CHG LTR	SWITCHES	# SW	NETWORK COMMUNICATIONS	CHG LTR
VR4 = Type 4,4X Resin VR8 = Div. 2 Resin	B = Non NAMUR 316 S.S. C = NAMUR 316 S.S.	2 = (2) 3/4" NPT F 6 = (4) 3/4" NPT F 7 = (2) M20x1.5 F 9 = (4) M20x1.5 F	N = Flat Cover (None) Y = Yellow/Black D = Green/Red R = Red/White G = Green/White B = Blue/White W = Red/Green T = 3Way U = 3Way Divert S = 4Way Path	A	N = No Switch A = Mech SPDT Silver 15A H = Mech SPDT Gold (IS) D = Mech DPDT 10A T = Viper SPDT Tungsten 3A R = Viper SPDT Rhodium 1A G = Viper SPDT Rhodium (IS) W = Network/Bus Comm. Card	0 1 2 3 4	NG = None RW = RS (0-1000 Ohms) Potentiometer TY = CS (4-20 MA) Transmitter AJ = ASI 2x1, v2.1, 31s STD ADDR AL = ASI 2x1, v2.1, 62s EXT ADDR AK = ASI 4x2, v2.1, 31s STD ADDR AM = ASI 4x2, v2.1, 62s EXT ADDR DC = DNET 2x1 DE = DNET 2x1 Diagnostics DD = DNET 6x2 (M1), 2 out, single acting DH = DNET 6x2 (M2), 1 out, double acting DF = DNET 6x2 DIAG (M1), 2 out, single acting DI = DNET 6x2 DIAG (M2), 1 out, double acting	A
VR8	B	2	Y	A	T	2	NG	A

Ordering Number Example: VR8B2YAT2NGA

Dimensions Inches (mm)



Consult factory for available mounting brackets.